

 **BOEING**
COMPONENT
MAINTENANCE MANUAL

TO: ALL HOLDERS OF APU SHUTDOWN PANEL ASSEMBLY, P40 COMPONENT MAINTENANCE
MANUAL 26-15-46

REVISION NO. 4 DATED MAR 01/03

HIGHLIGHTS

Pages which have been added or revised are outlined below together with the highlights of the revision. Remove and insert the affected pages as listed and enter Revision No. and date to the Record of Revision Sheet.

CHAPTER/SECTION

AND PAGE NO.

DESCRIPTION OF CHANGE

TITLE PAGE

Added assemblies 284T0719-354, -355, 357, and -363 and all associated components.

1

DESCRIPTION & OPERATION

2-5

101-104,107

1003,1005-1018,

1025-1029,1035-1038,

1043-1046,1049-1050,

1053-1054,1057-1058,

1065-1068,1070,

1074-1080Q

26-15-46

HIGHLIGHTS

01.1

Page 1

Mar 01/03

APU SHUTDOWN PANEL ASSEMBLY P40

PART NUMBERS 284T0719-17,-18,-21,-24,
-27,-29,-30,-33,
-34,-302,-304,-307,
-311,-312,-354,-355,
-357,-363

COMPONENT MAINTENANCE MANUAL
WITH
ILLUSTRATED PARTS LIST

26-15-46

TITLE PAGE

01.1

Page 1

Mar 01/03



REVISION RECORD

- Retain this record in front of manual. On receipt of revision, insert revised pages in the manual, and enter revision number, date inserted and initial.

REVISION NUMBER	REVISION DATE	DATE FILED	BY	REVISION NUMBER	REVISION DATE	DATE FILED	BY

TEMPORARY REVISION AND SERVICE BULLETIN RECORD

BOEING SERVICE BULLETIN	BOEING TEMPORARY REVISION	OTHER DIRECTIVE	DATE OF INCORPORATION INTO MANUAL
767-26-1066			MAR 01/96

26-15-46

TR & SB RECORD

01

Page 1

Mar 01/96


BOEING
 COMPONENT
 MAINTENANCE MANUAL

PAGE	DATE	CODE	PAGE	DATE	CODE
26-15-46			TESTING & TROUBLE SHOOTING *108	BLANK	CONT.
TITLE PAGE			ILLUSTRATED PARTS LIST		
*1	MAR 01/03	01.1	1001	MAR 01/96	01
2	BLANK		1002	MAR 01/96	01
REVISION RECORD			*1003	MAR 01/03	01.1
1	MAR 01/96	01	*1004	MAR 01/03	01.1
2	BLANK		*1005	MAR 01/03	01.1
TR & SB RECORD			*1006	MAR 01/03	01.1
1	MAR 01/96	01	*1007	MAR 01/03	01.1
2	BLANK		*1008	MAR 01/03	01.1
LIST OF EFFECTIVE PAGES			*1009	MAR 01/03	01.1
*1	MAR 01/03	01	*1010	MAR 01/03	01.1
THRU LAST PAGE			*1011	MAR 01/03	01.1
CONTENTS			*1012	MAR 01/03	01.1
1	MAR 01/96	01	*1013	MAR 01/03	01.1
2	BLANK		*1014	MAR 01/03	01.1
INTRODUCTION			*1015	MAR 01/03	01.1
1	MAR 01/96	01	*1016	MAR 01/03	01.1
2	BLANK		*1017	MAR 01/03	01.1
DESCRIPTION & OPERATION			*1018	MAR 01/03	01.1
1	MAR 01/96	01	*1019	MAR 01/03	01.1
*2	MAR 01/03	01.1	*1020	MAR 01/03	01.1
*3	MAR 01/03	01.1	*1021	MAR 01/03	01.1
*4	MAR 01/03	01.1	*1022	MAR 01/03	01.1
*5	MAR 01/03	01.1	*1023	MAR 01/03	01.1
*6	BLANK		*1024	MAR 01/03	01.1
TESTING & TROUBLE SHOOTING			*1025	MAR 01/03	01.1
*101	MAR 01/03	01.1	*1026	MAR 01/03	01.1
*102	MAR 01/03	01.1	*1027	MAR 01/03	01.1
*103	MAR 01/03	01.1	*1028	MAR 01/03	01.1
*104	MAR 01/03	01.1	*1029	MAR 01/03	01.1
*105	MAR 01/03	01.101	*1030	BLANK	
*106	MAR 01/03	01.101	*1031	MAR 01/03	01.1
*107	MAR 01/03	01.1	*1032	MAR 01/03	01.1
			*1033	MAR 01/03	01.1
			*1034	MAR 01/03	01.1
			*1035	MAR 01/03	01.1
			*1036	MAR 01/03	01.1
			*1037	MAR 01/03	01.1
			*1038	MAR 01/03	01.1
			*1039	MAR 01/03	01.1

* = REVISED, ADDED OR DELETED

26-15-46

EFFECTIVE PAGES

CONTINUED Page 1

01 Mar 01/03

PAGE	DATE	CODE	PAGE	DATE	CODE
ILLUSTRATED PARTS LIST		CONT.	ILLUSTRATED PARTS LIST		CONT.
*1040	MAR 01/03	01.1	*1080B	MAR 01/03	01.1
*1041	MAR 01/03	01.1	*1080C	MAR 01/03	01.1
*1042	MAR 01/03	01.1	*1080D	MAR 01/03	01.1
*1043	MAR 01/03	01.1	*1080E	MAR 01/03	01.1
*1044	MAR 01/03	01.1	*1080F	MAR 01/03	01.1
*1045	MAR 01/03	01.1	*1080G	MAR 01/03	01.1
*1046	MAR 01/03	01.1	*1080H	MAR 01/03	01.1
1047	BLANK		*1080I	MAR 01/03	01.1
*1048	MAR 01/03	01.1	*1080J	MAR 01/03	01.1
*1049	MAR 01/03	01.1	*1080K	MAR 01/03	01.1
*1050	MAR 01/03	01.1	*1080L	MAR 01/03	01.1
1051	BLANK		*1080M	MAR 01/03	01.1
*1052	MAR 01/03	01.1	*1080N	MAR 01/03	01.1
*1053	MAR 01/03	01.1	*1080O	MAR 01/03	01.1
*1054	MAR 01/03	01.1	*1080P	MAR 01/03	01.1
*1055	BLANK		*1080Q	MAR 01/03	01.1
*1056	MAR 01/03	01.1	*1080R	BLANK	
*1057	MAR 01/03	01.1			
*1058	MAR 01/03	01.1			
*1059	MAR 01/03	01.1			
*1060	MAR 01/03	01.1			
*1061	MAR 01/03	01.1			
*1062	MAR 01/03	01.1			
*1063	MAR 01/03	01.1			
*1064	MAR 01/03	01.1			
*1065	MAR 01/03	01.1			
*1066	MAR 01/03	01.1			
*1067	MAR 01/03	01.1			
*1068	MAR 01/03	01.1			
*1069	MAR 01/03	01.1			
*1070	MAR 01/03	01.1			
*1071	MAR 01/03	01.1			
*1072	MAR 01/03	01.1			
*1073	MAR 01/03	01.1			
*1074	MAR 01/03	01.1			
*1075	MAR 01/03	01.1			
*1076	MAR 01/03	01.1			
*1077	MAR 01/03	01.1			
*1078	MAR 01/03	01.1			
*1079	MAR 01/03	01.1			
*1080	MAR 01/03	01.1			
*1080A	MAR 01/03	01.1			

* = REVISED, ADDED OR DELETED

26-15-46

EFFECTIVE PAGES
 LAST PAGE Page 2
 01 Mar 01/03



TABLE OF CONTENTS

<u>Paragraph Title</u>	<u>Page</u>
Description and Operation	1
Testing and Trouble Shooting.	101
Disassembly*[1]
Cleaning.*[1]
Check*[1]
Repair.*[1]
Assembly.*[1]
Fits and Clearances (not applicable)	
Special Tools*[2]
Illustrated Parts List.	1001

*[1] Use applicable procedures in 20-11-04 and standard industry practices.
 *[2] Special instructions not required.



INTRODUCTION

The instructions in this manual provide the information necessary to perform maintenance functions including test, fault isolation, and replacement of defective components.

This manual is divided into separate sections:

- | | |
|--|------------------------------|
| 1. Title Page | 4. List of Effective Pages |
| 2. Record of Revisions | 5. Table of Contents |
| 3. Temporary Revision &
Service Bulletin Record | 6. Introduction |
| | 7. Procedures & IPL Sections |

Refer to the Table of Contents for the page location of applicable sections.

An explanation of the use of the Illustrated Parts List is provided in the Introduction to that section.

All weights and measurements used in the manual are in English units, unless otherwise stated. When metric equivalents are given they will be in parentheses following the English units.

Design changes, optional parts, configuration differences and Service Bulletin modifications create alternate part numbers. These are identified in the Illustrated Parts List (IPL) by adding an alphabetical character to the basic item number. The resulting item number is called an alpha-variant. Throughout the manual, IPL basic item number references also apply to alpha-variants unless otherwise indicated.

Verification:

Testing/TS

26-15-46

INTRODUCTION

01

Page 1

Mar 01/96



APU SHUTDOWN PANEL ASSEMBLY P40

DESCRIPTION AND OPERATION

1. Description

- A. The APU shutdown panel assembly has switches, lights, jacks and a horn installed in an aluminum panel. A wire bundle assembly connects all electrical components.

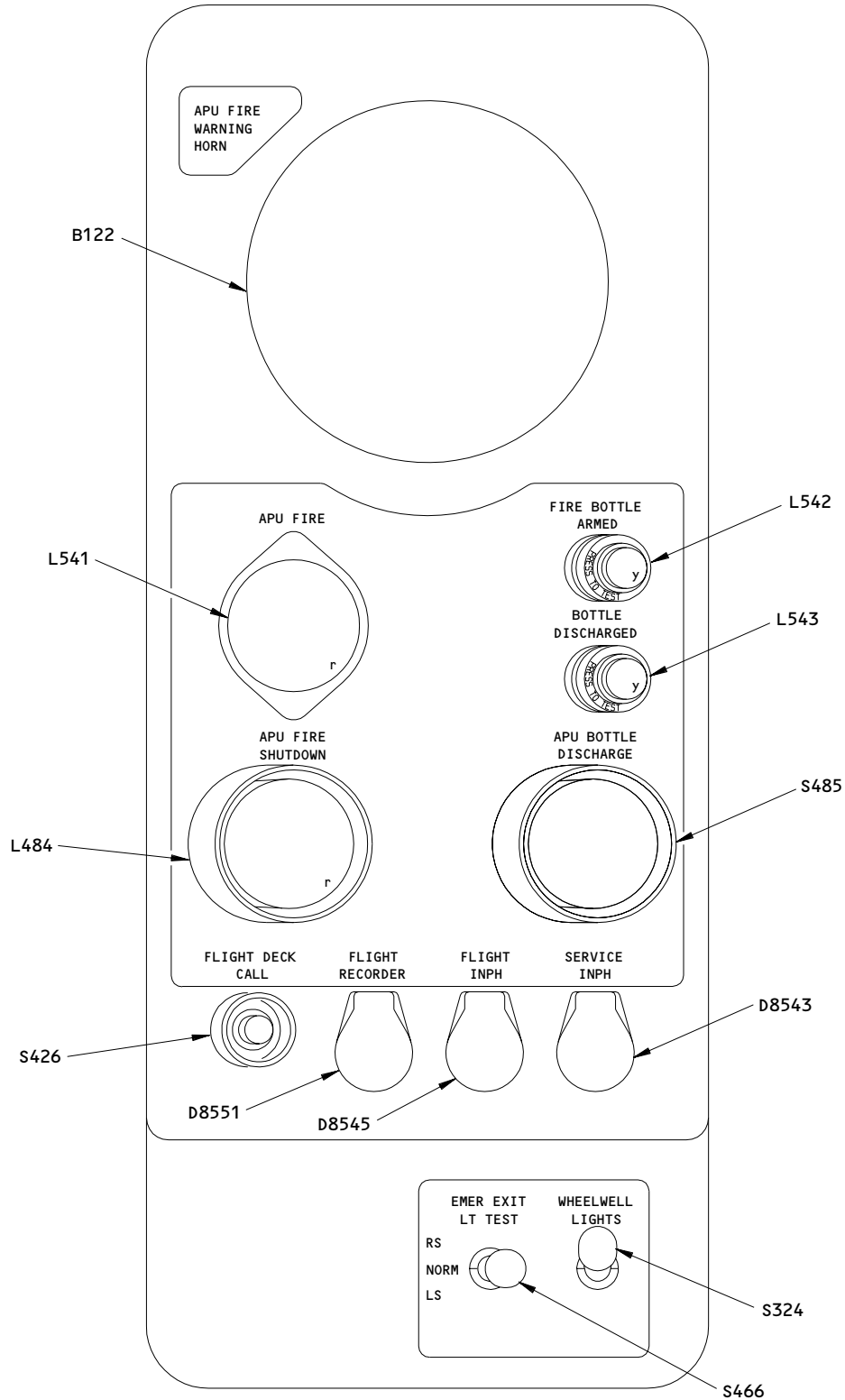
26-15-46

DESCRIPTION & OPERATION

01

Page 1

Mar 01/96



284T0719-17,-24,-29,-33,-34,-307,-311,-354
 APU Shutdown Panel Assembly P40 Component Location Diagram
 Figure 1

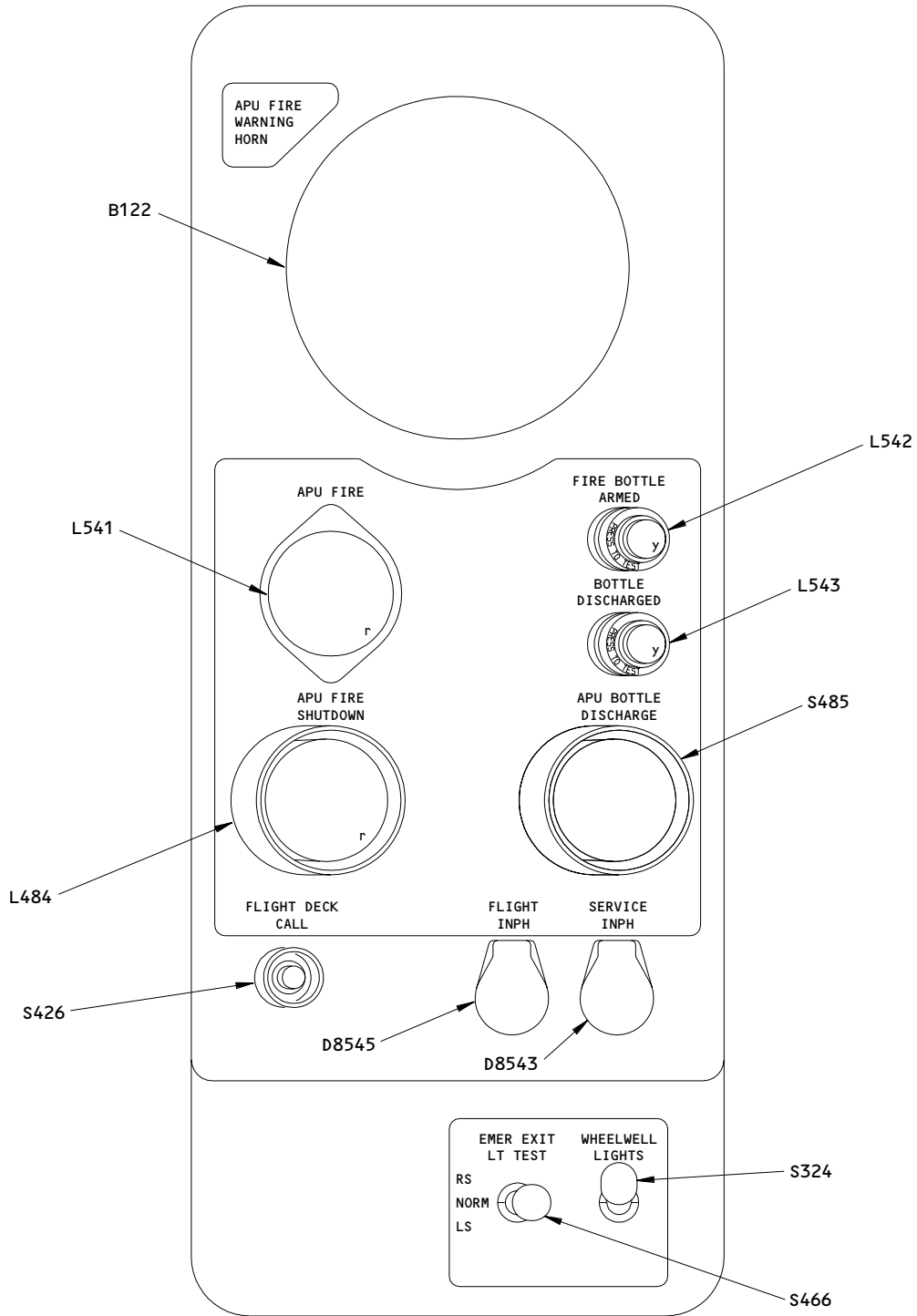
26-15-46

DESCRIPTION & OPERATION

01.1

Page 2

Mar 01/03



284T0719-18,-27,-302,-355
APU Shutdown Panel Assembly P40 Component Location Diagram
Figure 2

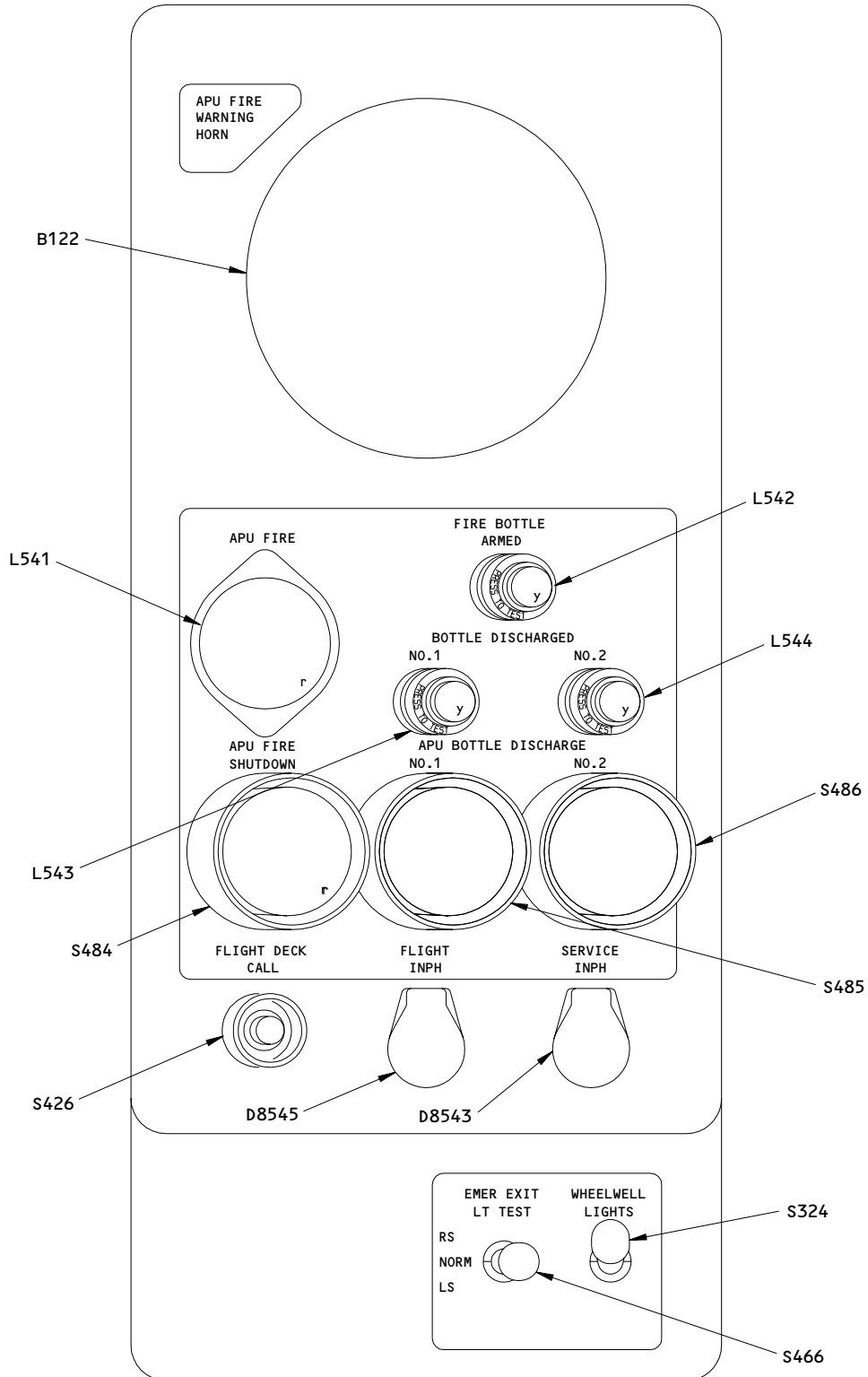
26-15-46

DESCRIPTION & OPERATION

01.1

Page 3

Mar 01/03



284T0719-21,-30,-304,-312,-357
 APU Shutdown Panel Assembly P40 Component Location Diagram
 Figure 3

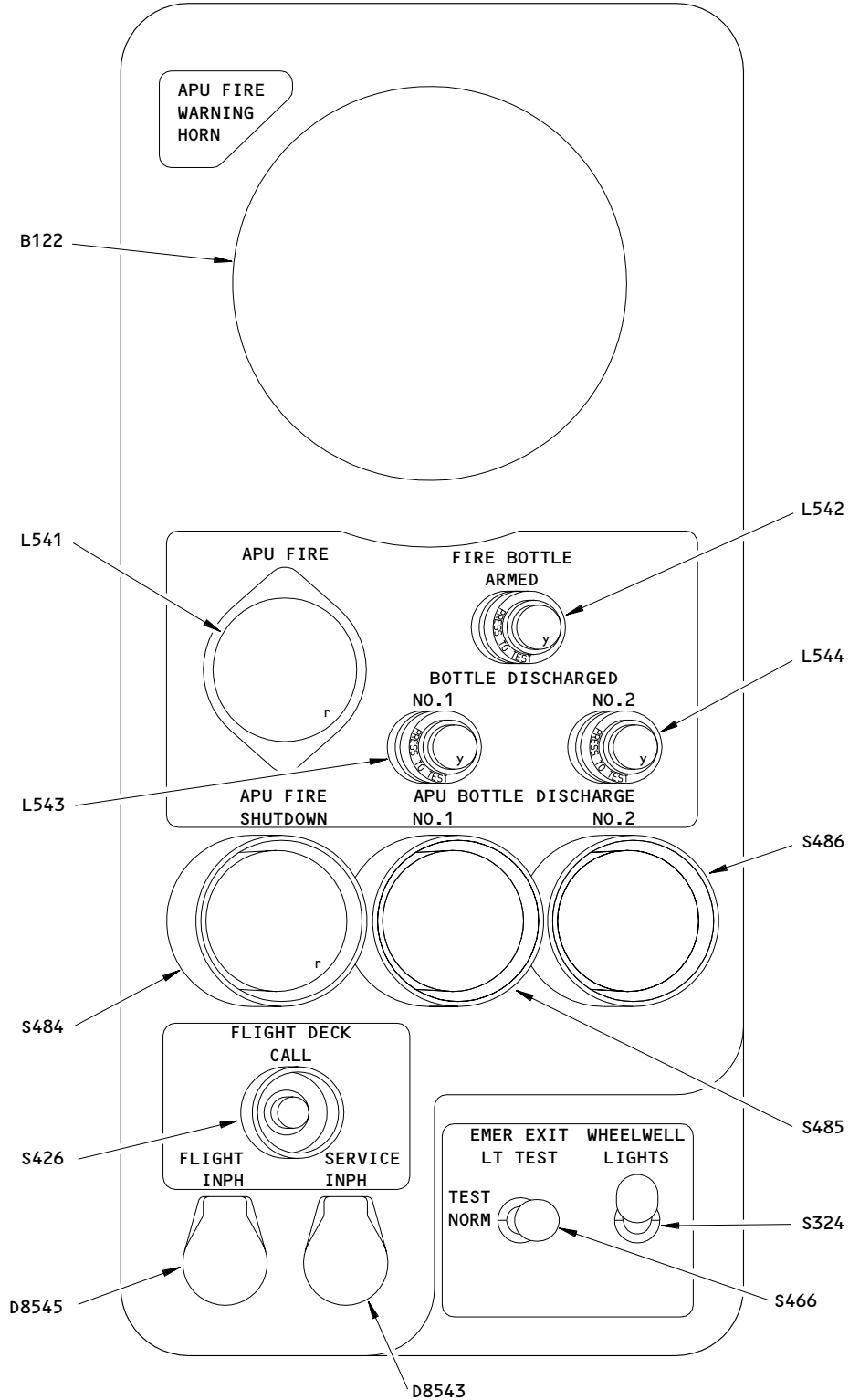
26-15-46

DESCRIPTION & OPERATION

01.1

Page 4

Mar 01/03



284T0719-363
APU Shutdown Panel Assembly P40 Component Location Diagram
Figure 4

26-15-46

DESCRIPTION & OPERATION

01.1

Page 5

Mar 01/03

TESTING AND TROUBLE SHOOTING1. Test Equipment

- A. Power Supply: 28 \pm 1v dc, 1 ampere
- B. Multimeter: Simpson 260 or equivalent
- C. Test connectors: BACC45FS22-19P (connects with D5936J)
BACC45FS22-19P6 (connects with D5938J)
or
BACC45FM22-19S (connects with D5936P)
BACC45FM22-19S6 (connects with D5938P)

2. Functional Test

- A. Connect test connectors to panel assembly.
- B. Do test steps given in Fig. 101, and 102A. Refer to Fig. 1 thru 3 for component identification and labels. Apply power only as instructed.

NOTE: "Continuity" means less than 3 ohms and "open" means more than 900K ohms.

26-15-46TESTING & TROUBLE SHOOTING
01.1 Page 101
Mar 01/03

CONNECT 28V DC TO D5936J PINS: (+) (-)		PROCEDURE	NECESSARY RESULTS	COMPONENT EXAMINED
13	12 14	Listen for horn	Horn sounds	B122
8	12	Look at L541	L541 on	L541
7	12		L542,L543,L544 off	L542,L543,L544
7	12	Push L542,L543,L544 one at a time	L542,L543,L544 on when pushed	L542,L543,L544
2	12		L542 on	L542
2	12	Push L542	L542 off	L542
7	11		L543 on	L543
7	11	Push L543	L543 off	L543
7	9	*[1]	L544 on	L544
7	9	Push L544 *[1]	L544 off	L544

*[1] 284T0719-21, -30, -304, -363 only

Horn and Light Test
Figure 101

26-15-46

TESTING & TROUBLE SHOOTING
01.1 Page 102
Mar 01/03


BOEING
 COMPONENT
 MAINTENANCE MANUAL

MEASURE RESISTANCE BETWEEN PINS:	PROCEDURE	NECESSARY RESULTS	COMPONENT EXAMINED
D5936-6 D5936-12		Open	S484
D5936-2 D5936-4		Open	S485
D5936-2 D5936-3	*[2]	Open	S486
	Push and hold:		
D5936-6 D5936-12	S484	Continuity	S484
D5936-2 D5936-4	S485	Continuity	S485
D5936-2 D5936-3	S486 *[2]	Continuity	S486
D5938-12 D5938-13	Set S324 down	Open	S324
D5938-12 D5938-13	Set S324 up	Continuity	S324
D5938-1 D5938-2		Open	S426
D5938-1 D5938-2	Push and hold S426	Continuity	S426
D5938-9 D5938-11	S466 in NORM	Open	S466
D5938-10 D5938-11	S466 in NORM	Open	S466
	Push and hold:		
D5938-9 D5938-11	S466 in LS	Continuity	S466
D5938-10 D5938-11	S466 in RS	Continuity	S466

*[2] 284T0719-21, -30, -304 only

284T0719-17, -18, -21, -24, -27, -29, -30, -33, -34,
 -302, -304, -307, -311, -312
 Switch Test
 Figure 102

26-15-46

TESTING & TROUBLE SHOOTING
 01.1 Page 103
 Mar 01/03

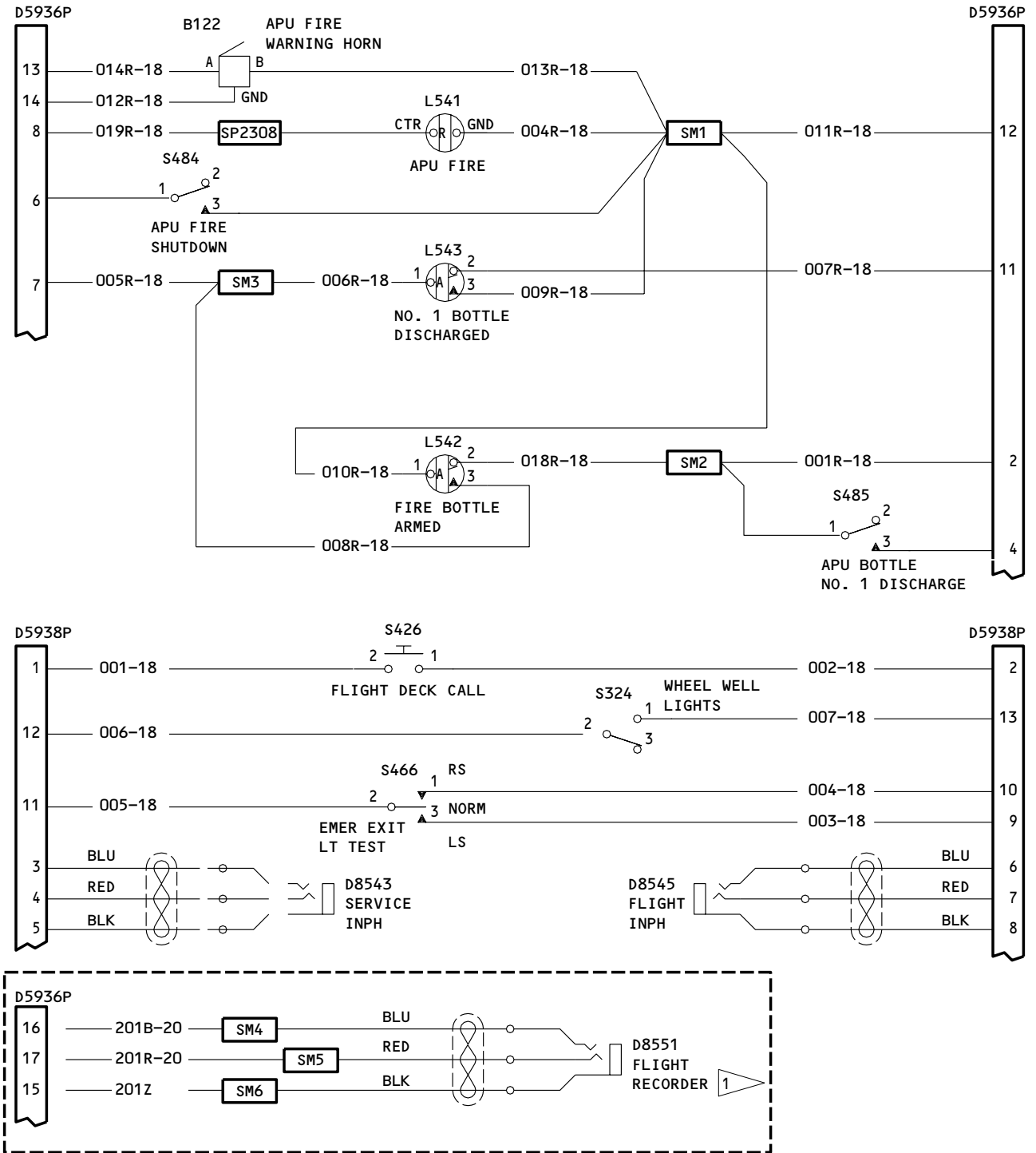
MEASURE RESISTANCE BETWEEN PINS:	PROCEDURE	NECESSARY RESULTS	COMPONENT EXAMINED
D5936-6 D5936-12		Open	S484
D5936-2 D5936-4		Open	S485
D5936-2 D5936-10		Open	S486
	Push and hold:		
D5936-6 D5936-12	S484	Continuity	S484
D5936-2 D5936-4	S485	Continuity	S485
D5936-2 D5936-10	S486	Continuity	S486
D5938-12 D5938-13	Set S324 down	Open	S324
D5938-12 D5938-13	Set S324 up	Continuity	S324
D5938-1 D5938-2		Open	S426
D5938-1 D5938-2	Push and hold S426	Continuity	S426
D5938-10 D5938-11	S466 in TEST	Continuity	S466
D5938-10 D5938-11	S466 in NORM	Open	S466

284T7019-363
 Switch Test
 Figure 102A

26-15-46

TESTING & TROUBLE SHOOTING
 01.1 Page 104
 Mar 01/03

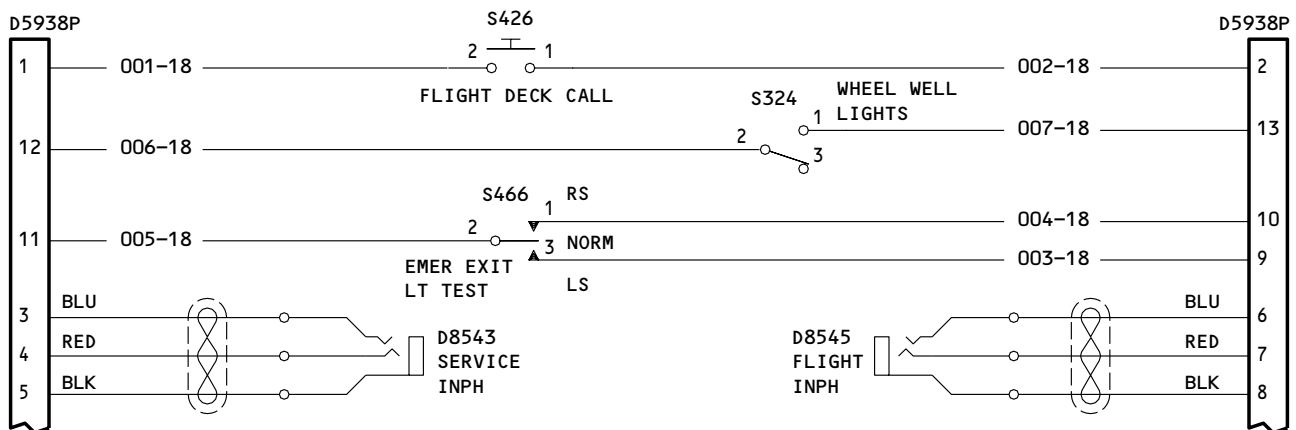
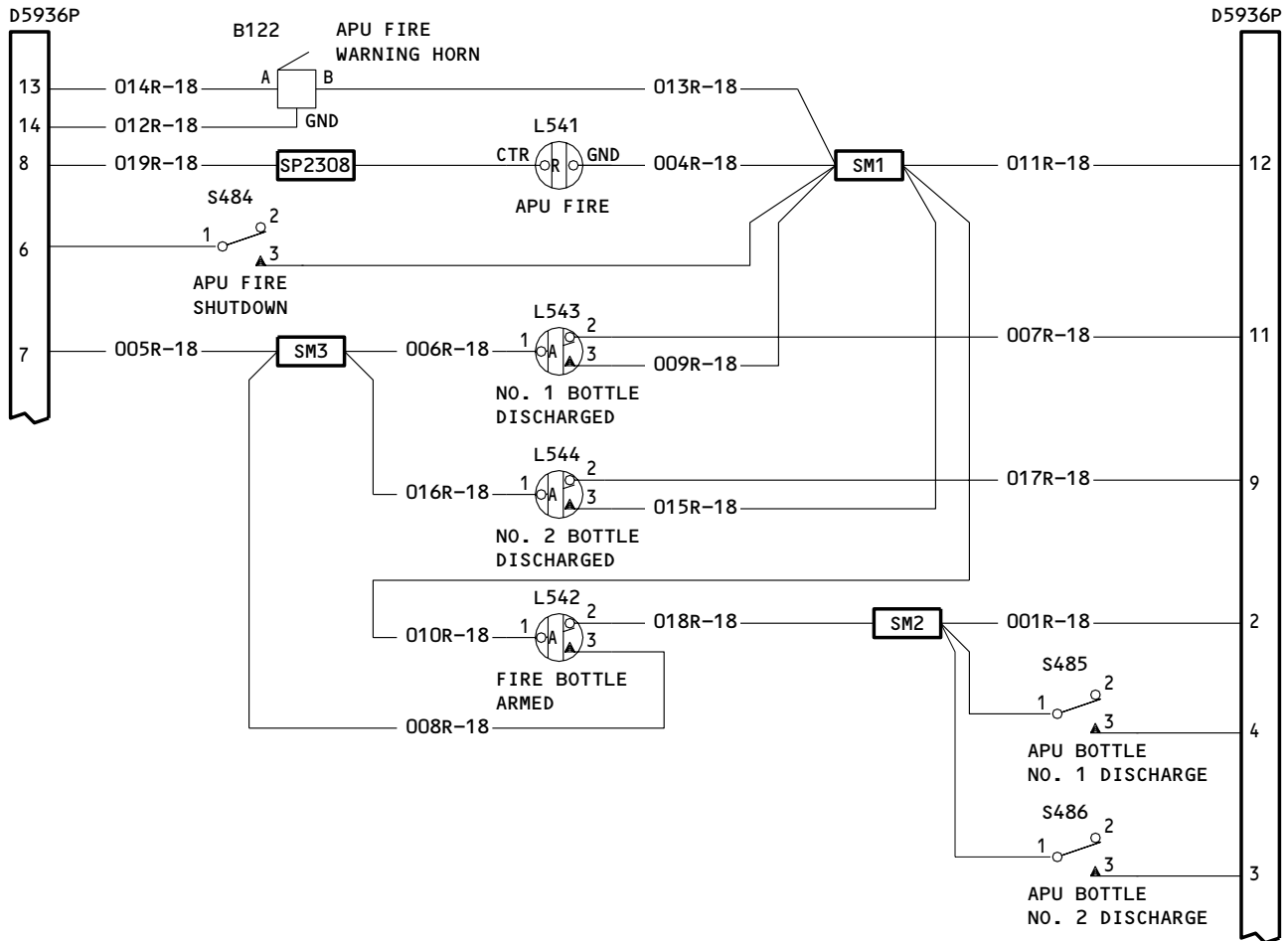
BOEING
 COMPONENT
 MAINTENANCE MANUAL



1 284T0719-17,-24,-29,-33,-34,-311

284T0719-17,-18,-24,-27,-29,-33,-34,-302,-307,-311
 Schematic Diagram
 Figure 103

26-15-46

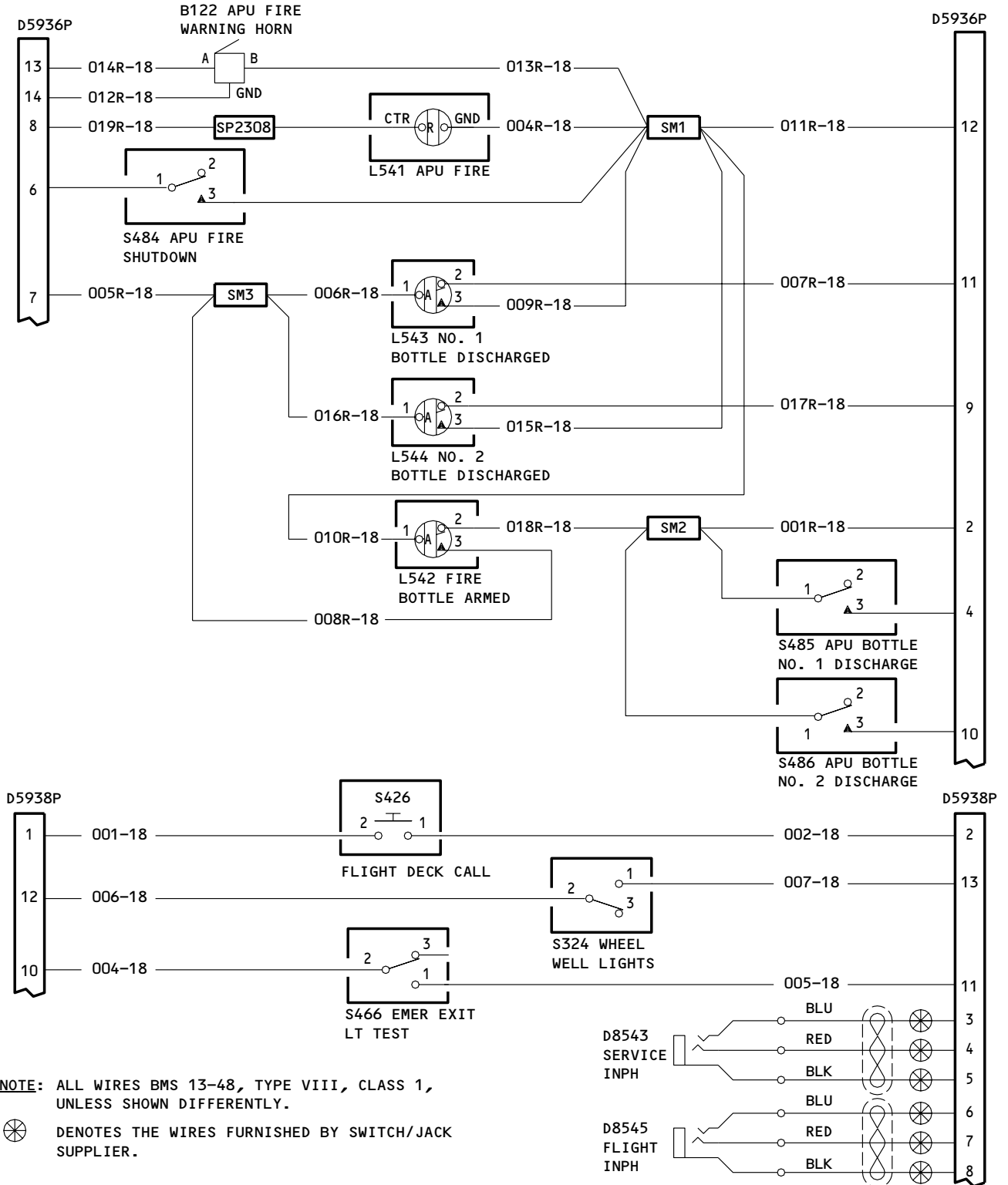


284T0719-21,-30,-304,-312
 Schematic Diagram
 Figure 104

26-15-46

BOEING

COMPONENT MAINTENANCE MANUAL



284T0719-363
Schematic Diagram
Figure 105

26-15-46



ILLUSTRATED PARTS LIST

1. This section lists and illustrates replaceable or repairable component parts. The Illustrated Parts Catalog contains a complete explanation of the Boeing part numbering system.

2. Indentures show parts relationships as follows:

Assembly

Detail Parts for Assembly

Subassembly

Attaching Parts for Subassembly

Detail Parts for Subassembly

Detail Installation Parts (Included only if installation parts may be returned to shop as part of assembly)

3. One use code letter (A, B, C, etc.) is assigned in the EFF CODE column for each variation of top assembly. All listed parts are used on all top assemblies except when limitations are shown by use code letter opposite individual part entries.

4. Letter suffixes (alpha-variants) are added to item numbers for optional parts, Service Bulletin modification parts, configuration differences (Except left- and right-hand parts), product improvement parts, and parts added between two sequential item numbers. The alpha-variant is not shown on illustrations when appearance and location of all variants of the part is the same.

5. Service Bulletin modifications are shown by the notations PRE SB XXXX and POST SB XXXX.

A. When a new top assembly part number is assigned by Service Bulletin, the notations appear at the top assembly level only. The configuration differences at detail part level are then shown by use code letter.

B. When the top assembly part number is not changed by the Service Bulletin, the notations appear at the detail part level.

6. Parts Interchangeability

Optional
(OPT)

The parts are optional to and interchangeable with other parts having the same item number.

Supersedes, Superseded By
(SUPSDS, SUPSD BY)

The part supersedes and is not interchangeable with the original part.

Replaces, Replaced By
(REPLS, REPLD BY)

The part replaces and is interchangeable with, or is an alternate to, the original part.

26-15-46

ILLUSTRATED PARTS LIST

01

Page 1001

Mar 01/96

7. The MOD level codes in the nomenclature column, such as MOD A and MOD B, identify interchangeable top assemblies which have the same part number but which have differences at the subassembly or component levels. The IPL identifies each MOD level of a top assembly with a different item number and use code. The nameplate label identifies the MOD level of each assembly in the MOD LEVEL block.
8. Use substitute parts only as specified in the document D906-10182, Electrical/Electronic/Electromechanical and Mechanical Parts Substitution.

26-15-46ILLUSTRATED PARTS LIST
01 Page 1002
Mar 01/96


BOEING
 COMPONENT
 MAINTENANCE MANUAL
VENDORS

03494 GENERAL ELECTRIC CO LARGE MOTOR AND GENERATOR DEPT
 DEPT 1 RIVER ROAD
 SCHENECTADY, NEW YORK 12345

04169 WESTERN SKY INDUSTRIES A DIVISION OF ATLAS CORPORATION
 1280 SAN LUIS OBISPO STREET
 HAYWARD, CALIFORNIA 94544-7916
 FORMERLY WESTERN SKY IND VB0008

08806 GENERAL ELECTRIC CO MINIATURE LAMP PRODUCTS DEPT
 NELA PARK
 CLEVELAND, OHIO 44112

11815 CHERRY AEROSPACE FASTENERS DIV OF TEXTRON
 1224 EAST WARNER AVENUE PO BOX 2157
 SANTA ANA, CALIFORNIA 92707-0157
 FORMERLY IN LOS ANGELES, CALIF, FORMERLY CHERRY FASTENERS
 TOWNSEND DIV OF TEXTRON INC V71087

15653 FAIRCHILD FASTENERS KAYNAR PRODUCTS DIV
 800 S STATE COLLEGE BLVD
 FULLERTON, CALIFORNIA 92831-3001
 FORMERLY VK6405 MICRODOT AEROSP LTD; FORMERLY KAYNAR TECH
 KAYNAR DIV

52828 REPUBLIC FASTENER MFG CORP
 1300 RANCHO CONEJO BLVD
 NEWBURY PARK, CALIFORNIA 91320-1405
 FORMERLY IN SYLMAR, CALIFORNIA

72914 HONEYWELL/GRIMES AEROSPACE
 550 STATE RT 55
 URBANA, OHIO 43078
 FORMERLY AERO-FLOW V70128; MIDLAND-ROSS JANITROL AERO DIV;
 FORMERLY FL AEROSP CORP V89513; ALLIEDSIGNAL/GRIMES AEROSP

72962 HARVARD INDUSTRIES INC
 3 WERNER WAY SUITE 210
 LEBANON, NEW JERSEY 08833
 FORMERLY AMERACE CORP ESNA DIV
 FORMERLY ELASTIC STOP NUT IN UNION, NJ

76854 OAK GRIGSBY INC
 88 NORTH DUGAN ROAD PO BOX 890
 SUGAR GROVE, ILLINOIS 60554-0890
 FORMERLY OAK SWITCH SYSTEMS INC SUB OF OAK TECHNOLOGY INC

26-15-46

 ILLUSTRATED PARTS LIST
 01.1 Page 1003
 Mar 01/03

VENDORS

80252 FARADAY INC
805 SOUTH MAUMEE STREET PO BOX 320
TECUMSEH, MICHIGAN 49286-2053
FORMERLY FARADAY DIVN OF GRAY MFG CO V22971
FORMERLY SPERTI FARADAY, INC V80252

80539 SPS TECHNOLOGIES INC AEROSPACE PRODUCTS DIV
2701 SOUTH HARBOR BOULEVARD PO BOX 1259
SANTA ANA, CALIFORNIA 92702-1259
FORMERLY NUTT-SHEL DIV OF SPC WESTERN CO V80539
AND STANDARD PRESSED STEEL WESTERN DIV V17279

82389 SWITCHCRAFT, INC SUB OF RAYTHEON CO
5555 NORTH ELSTON AVENUE
CHICAGO, ILLINOIS 60630-1314

92215 FAIRCHILD IND INC FAIRCHILD AEROSPACE FASTENER DIV
3010 W LOMITA BLVD
TORRANCE, CALIFORNIA 90505-5102
FORMERLY VOI-SHAN IN CULVER CITY, CALIF

26-15-46

ILLUSTRATED PARTS LIST
01.1 Page 1004
Mar 01/03


BOEING
 COMPONENT
 MAINTENANCE MANUAL

REFERENCE DESIGNATOR INDEX (SEE SCHEMATIC DIAGRAM)		
REFERENCE DESIGNATOR	PART NUMBER	FIG-ITEM
B122	9643	1-15
B122	9643	2-15
B122	9643	3-15
B122	9643	7-25
B122	9643	25A
B122	9643	8-20
B122	9643	10-15
B122	9643	11-15
L541	69-23884-7	1-25
L541	69-23884-7	2-25
L541	69-23884-7	3-25
L541	69-23884-7	7-40
L541	69-23884-9	35
L541	69-23884-9	8-30
L541	69-23884-9	10-25
L541	69-23884-9	11-25
L542	BCREF1709	1-40A
L542	BCREF1709	2-40A
L542	04-92782-8TL	1-40
L542	04-92782-8TL	2-40
L542	06-91182-12	1-40C
L542	06-91182-12	40D
L542	06-91182-12	2-40C
L542	06-91182-12	40D
L542	06-91182-12	7-55
L542	06-91182-12	55A
L542	06-91182-12	8-40
L542	06-91182-12	10-35
L542	06-91182-12	11-35
L542	5-86556-808	1-40B

26-15-46

 ILLUSTRATED PARTS LIST
 01.1 Page 1005
 Mar 01/03

REFERENCE DESIGNATOR INDEX (SEE SCHEMATIC DIAGRAM)

REFERENCE DESIGNATOR	PART NUMBER	FIG-ITEM
L542	5-86556-808	2-40B
L542-L544	BCREF1709	3-40A
L542-L544	04-92782-8TL	40
L542-L544	06-91182-12	40C
L542-L544	06-91182-12	40D
L542-L544	5-86556-808	40B
L543	BCREF1709	1-40A
L543	BCREF1709	2-40A
L543	04-92782-8TL	1-40
L543	04-92782-8TL	2-40
L543	06-91182-12	1-40C
L543	06-91182-12	40D
L543	06-91182-12	2-40C
L543	06-91182-12	40D
L543	06-91182-12	7-55
L543	06-91182-12	55A
L543	06-91182-12	8-40
L543	06-91182-12	10-35
L543	06-91182-12	11-35
L543	5-86556-808	1-40B
L543	5-86556-808	2-40B
L544	06-91182-12	8-40
L544	06-91182-12	11-35
S324	MS24658-23D	1-75
S324	MS24658-23D	2-75
S324	MS24658-23D	3-75
S324	MS24658-23D	7-85
S324	MS24658-23D	85A
S324	MS24658-23D	8-70
S324	MS24658-23D	10-80

26-15-46

 ILLUSTRATED PARTS LIST
 01.1 Page 1006
 Mar 01/03


BOEING
 COMPONENT
 MAINTENANCE MANUAL

REFERENCE DESIGNATOR INDEX (SEE SCHEMATIC DIAGRAM)		
REFERENCE DESIGNATOR	PART NUMBER	FIG-ITEM
S324	MS24658-23D	11-70
S426	MS25089-1C	1-55
S426	MS25089-1C	2-55
S426	MS25089-1C	3-55
S426	MS25089-1C	7-70
S426	MS25089-1C	70A
S426	MS25089-1C	8-55
S426	MS25089-1C	10-50
S426	MS25089-1C	11-50
S466	MS24658-27E	1-70
S466	MS24658-27E	2-70
S466	MS24658-27E	3-70
S466	MS24658-27E	7-95
S466	MS24658-27E	10-75
S466	MS24658-27E	11-65
S466	MS24658-28E	8-73A
S466	MS24658-28E	11-65A

26-15-46

ILLUSTRATED PARTS LIST

01.1

Page 1007

Mar 01/03

PART NUMBER	AIRLINE PART NO.	FIG.	ITEM	TTL REQ
AN960PD3		1	145	12
		1	147	2
		1	149	2
		2	145	14
		3	145	14
A4513-2		1	30	1
		2	30	1
		3	30	1
		7	45	1
		7	45A	2
A8985-17		1	35A	1
		2	35A	1
		7	50	1
		7	50B	2
		8	35	1
		10	30	1
A8985-6		11	30	1
		1	35	1
		2	35	1
		3	35	1
		7	50A	1
		7	50C	2
		8	35A	1
		10	30A	1
BACN10JN06		11	30A	1
		1	100	2
		2	100	2
		3	100	2
		7	162	2
BACN10JN06CD		8	125	2
		10	125	2
		11	110	2
BACN10KA3B		1	105	13
		2	105	13
		3	105	8
		7	160	13
		8	120	8

26-15-46

 ILLUSTRATED PARTS LIST
 01.1 Page 1008
 Mar 01/03


BOEING
 COMPONENT
 MAINTENANCE MANUAL

PART NUMBER	AIRLINE PART NO.	FIG.	ITEM	TTL REQ		
BACN10KA3BCD		10	120	13		
		11	105	8		
BACN10KA3C		1	110	7		
		2	110	7		
		3	110	4		
		7	170	7		
		10	115	7		
BACN10KA3CCD		11	100	4		
		10	110	2		
BACN10TL3-8 BACR15BA3A		1	95	44		
		2	95	44		
		3	95	28		
		7	155	30		
		7	165	14		
		8	115	20		
		10	105	48		
		11	95	28		
		BACR15BA4AD		1	85	4
				2	85	4
				3	85	6
7	125			4		
8	90			6		
10	95			4		
11	85			6		
BACR15BA5A				1	115	6
		1	125	10		
		2	115	6		
		2	125	10		
		3	115	6		
		3	125	10		
		7	145	10		
		8	100	16		
		10	130	16		
		11	115	16		

26-15-46

 ILLUSTRATED PARTS LIST
 01.1 Page 1009
 Mar 01/03

PART NUMBER	AIRLINE PART NO.	FIG.	ITEM	TTL REQ
BACR15BA6A		7	135	6
BACR15BB3A		1	140	12
		1	142	2
		1	144	2
		2	140	14
		3	140	14
		7	180	10
		7	215	4
		8	160	4
		10	155	14
		11	135	14
BACR15DR3PA		10	155A	14
		11	135A	14
BACS12HN06-10		10	20	2
		11	20	2
BACS12HN3-12		10	5	4
		11	5	4
BAC27TEX1429		1	160	1
		2	160	1
BAC27TEX1429		3	160	1
		7	190	1
		8	140	1
		10	165	1
		11	160	1
BAC27TEX1430		1	165	1
		2	165	1
		3	165	1
		7	195	1
		8	145	1
		10	170	1
		11	145	1
BAC27TEX1432		1	170	1
		2	170	1
		3	170	1
		7	225	1
		10	175	1
BAC27TEX4347		2	175	1
		7	200	1
		10	185	1
BAC27TEX4505		1	175	1
BAC27TEX4595		3	175	1
		8	150	1
		11	150	1

26-15-46

 ILLUSTRATED PARTS LIST
 01.1 Page 1010
 Mar 01/03


BOEING
 COMPONENT
 MAINTENANCE MANUAL

PART NUMBER	AIRLINE PART NO.	FIG.	ITEM	TTL REQ
BAC27TEX4596		1	180	1
BAC27TEX5054		1	185	1
BAC27TEX5152		1	190	1
		7	205	1
		10	180	1
BAC27TEX6520		8	170A	1
		11	155	1
BCREF1709		1	40A	2
		2	40A	2
		3	40A	3
BRFM20A06L		1	100	2
		2	100	2
		3	100	2
		7	162	2
		8	125	2
BRFM20C06LD		10	125	2
		11	110	2
MF1000-06BAC		1	100	2
		2	100	2
MF1000-06BAC		3	100	2
		7	162	2
		8	125	2
MF51637-06		10	125	2
		11	110	2
MF53049-06		7	162	2
		8	125	2
MS24658-23D		1	75	1
		2	75	1
		3	75	1
		7	85	1
		7	85A	2
		8	70	1
		10	80	1
		11	70	1

26-15-46

ILLUSTRATED PARTS LIST

01.1

Page 1011

Mar 01/03

PART NUMBER	AIRLINE PART NO.	FIG.	ITEM	TTL REQ
MS24658-27E		1	70	1
		2	70	1
		3	70	1
		7	95	1
		10	75	1
		11	65	1
MS24658-28E		8	73A	1
		11	65A	1
MS25089-1C		1	55	1
		2	55	1
		3	55	1
		7	70	1
		7	70A	2
		8	55	1
		10	50	1
		11	50	1
		10	160A	14
		11	140A	14
		NAS1149DN332J		7
7	220			4
8	135			10
8	165			4
10	160			14
11	140			14
NAS1801-06-10		1	20	2
		2	20	2
		3	20	2
		7	30	2
		7	30A	4
		8	25	2
		10	20A	2
		11	20A	2
NAS1801-3-12		1	5	4
		2	5	4
		3	5	4
		7	15	4
		7	15A	8
		8	10	4
		10	5A	4
		11	5A	4

26-15-46

 ILLUSTRATED PARTS LIST
 01.1 Page 1012
 Mar 01/03


BOEING
 COMPONENT
 MAINTENANCE MANUAL

PART NUMBER	AIRLINE PART NO.	FIG.	ITEM	TTL REQ
NAS549GL716		1	65	3
		2	65	2
		3	65	2
		7	80	2
		7	80A	4
		7	110	1
		8	65	2
		10	65	2
		10	70	1
		11	60	2
		NS103218-62		1
2	100			2
3	100			2
7	162			2
8	125			2
NS103227-02		1	105	13
		2	105	13
		3	105	8
		7	160	13
		8	120	8
NS103228-02		1	110	7
		2	110	7
		3	110	4
		7	170	7
NS202487-62		10	125	2
		11	110	2
NS202541-3		10	120	13
		11	105	8
NS202542-3		10	115	7
		11	100	4
RMF9201M62		1	100	2
		2	100	2
		3	100	2
		7	162	2
		8	125	2

26-15-46

 ILLUSTRATED PARTS LIST
 01.1 Page 1013
 Mar 01/03

PART NUMBER	AIRLINE PART NO.	FIG.	ITEM	TTL REQ
T8099S32SK		1	105	13
		2	105	13
		3	105	8
		7	160	13
		8	120	8
T8100C1032KCPM		10	120	13
		11	105	8
T8101S1032SK		1	110	7
		2	110	7
		3	110	4
		7	170	7
T8102C1032KCPM		10	115	7
		11	100	4
T8124S06S		1	100	2
		2	100	2
		3	100	2
		7	162	2
		8	125	2
T8301C632CD		10	125	2
		11	110	2
VN252A62L		1	100	2
		2	100	2
		3	100	2
		7	162	2
		8	125	2
WSI4-8		10	110	2
04-92782-8TL		1	40	2
		2	40	2
		3	40	3
04-92782-8TL186		1	40A	2
		2	40A	2
		3	40A	3
06-91182-12		1	40C	2
		2	40C	2
		3	40C	3
		7	55	2
		7	55A	4
		8	40	3
		10	35	2

26-15-46

 ILLUSTRATED PARTS LIST
 01.1 Page 1014
 Mar 01/03


BOEING
 COMPONENT
 MAINTENANCE MANUAL

PART NUMBER	AIRLINE PART NO.	FIG.	ITEM	TTL REQ
06-91182-12		11	35	3
102F9201M62		10	125	2
		11	110	2
1864		1	45	2
		2	45	2
		3	45	3
		7	60	2
		7	60A	4
		8	45	3
		10	40	2
		11	40	3
2C1079		7	75	2
		7	75A	4
		7	105	1
		8	60	2
		10	55	2
		10	60	1
		11	55	2
284T0719-17		1	1A	RF
		2	1A	RF
284T0719-21		1	1H	RF
		3	1A	RF
284T0719-24		1	1B	RF
		2	1B	RF
284T0719-29		1	1C	RF
		3	1B	RF
284T0719-302		1	1P	RF
		7	1A	RF
284T0719-311		1	1Q	RF
		7	1B	RF
284T0719-312		1	1T	RF
		8	1A	RF
284T0719-33		1	1D	RF
		10	1A	RF
284T0719-355		1	1W	RF
		10	1B	RF
284T0719-357		1	1X	RF
284T0719-357		11	1A	RF
284T0719-363		1	1Y	RF
		11	1B	RF
284T0719-61		7	5	1
284T0719-63		8	5	1
284T0719-64		7	90	1
284T0719-68		7	100	1
284T0719-70		7	10	1
284T0719-71		8	72A	1

26-15-46

ILLUSTRATED PARTS LIST

01.1

Page 1015

Mar 01/03

PART NUMBER	AIRLINE PART NO.	FIG.	ITEM	TTL REQ
284T0742-101		10	90	1
284T0742-103		10	90A	1
284T0742-107		11	80	1
284T0742-202		7	115	1
284T0742-203		7	115A	1
284T0742-205		8	75	1
284T0742-254		10	85	1
284T0742-255		10	85A	1
284T0742-257		11	75	1
284T0742-34		1	135	1
		7	175	1
		10	145	1
284T0742-36		1	130	2
		2	130	2
		3	130	2
		7	150	2
		8	110	2
		10	140	2
		11	125	2
284T0742-37		1	120	2
		2	120	2
		3	120	2
		7	140	2
		8	105	2
		10	135	2
		11	120	2
284T0742-40		1	80	1
		7	120	1
284T0742-44		2	135	1
		7	175A	1
		10	150	1

26-15-46

 ILLUSTRATED PARTS LIST
 01.1 Page 1016
 Mar 01/03


BOEING
 COMPONENT
 MAINTENANCE MANUAL

PART NUMBER	AIRLINE PART NO.	FIG.	ITEM	TTL REQ
284T0742-46		2	80	1
		7	120A	1
284T0742-51		3	135	1
		8	130	1
		11	130	1
		3	80	1
284T0742-52		8	85	1
		7	118	1
284T0742-82		8	80	1
284T0742-85		7	210	1
284T0742-90		8	155A	1
284T0742-92		1	90	2
284T0743-1		2	90	2
		3	90	3
		7	130	2
		8	95	3
		10	100	2
		11	90	3
		1	50	1
		2	50	1
		3	50	1
		7	65	1
		7	65A	2
284T0743-2		8	50	1
		10	45	1
		11	45	1
		1	10	1
		2	10	1
		3	10	1
		7	20	1
		7	20A	2
284T0748-1		8	15	1
		10	10	1
		11	10	1

26-15-46

ILLUSTRATED PARTS LIST

01.1

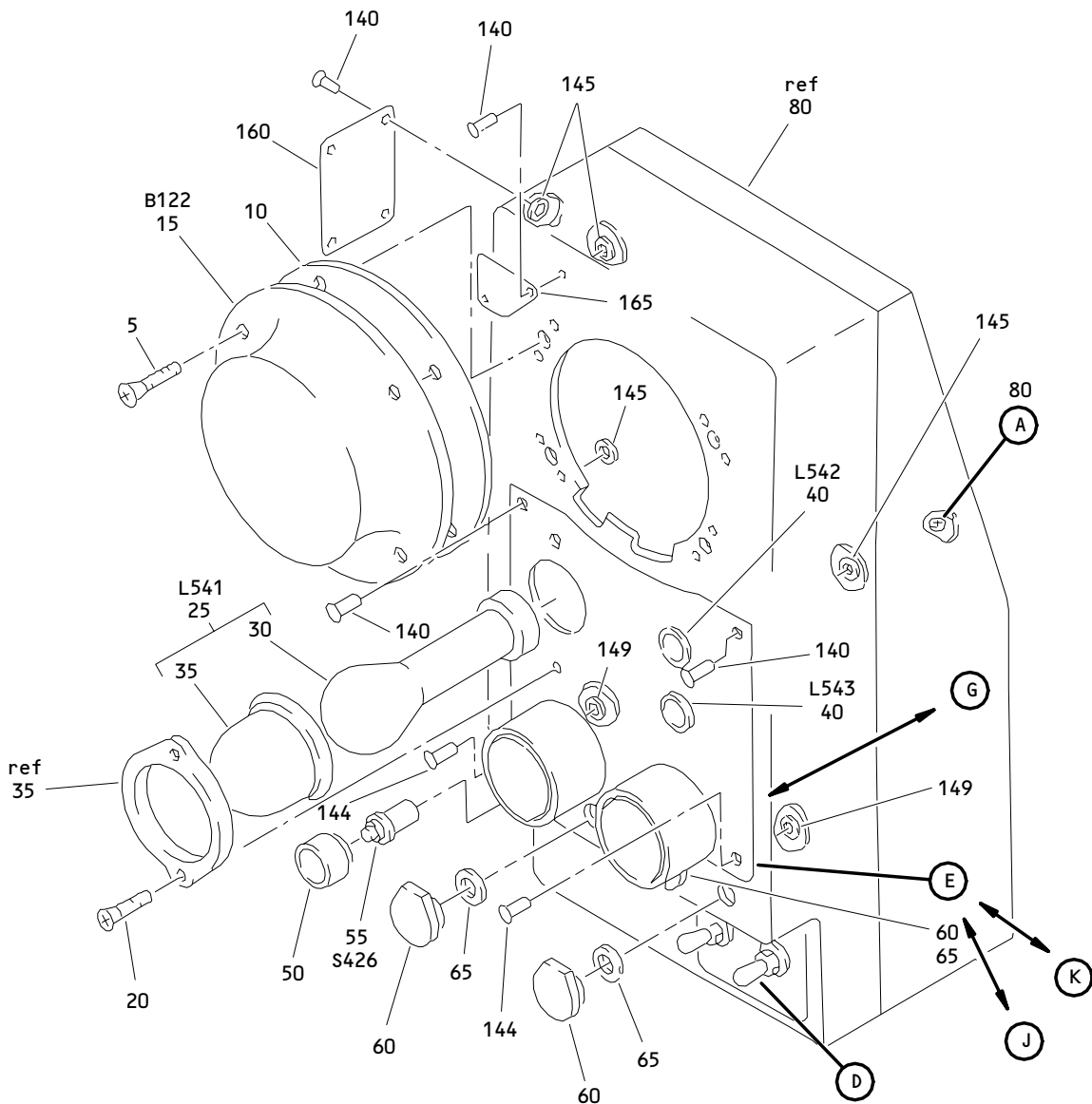
Page 1017

Mar 01/03

PART NUMBER	AIRLINE PART NO.	FIG.	ITEM	TTL REQ
286T1130		1	150	1
		2	150	1
		3	150	1
286T1132		1	155	1
		2	155	1
		3	155	1
5-86556-808		1	40B	2
		2	40B	2
		3	40B	3
69-23884-7		1	25	1
		2	25	1
		3	25	1
		7	40	1
69-23884-9		7	35	1
		8	30	1
69-23884-9		10	25	1
		11	25	1
69B47882-1		1	60	3
		2	60	2
		3	60	2
9643		1	15	1
		2	15	1
		3	15	1
		7	25	1
		7	25A	2
		8	20	1
		10	15	1
		11	15	1

26-15-46

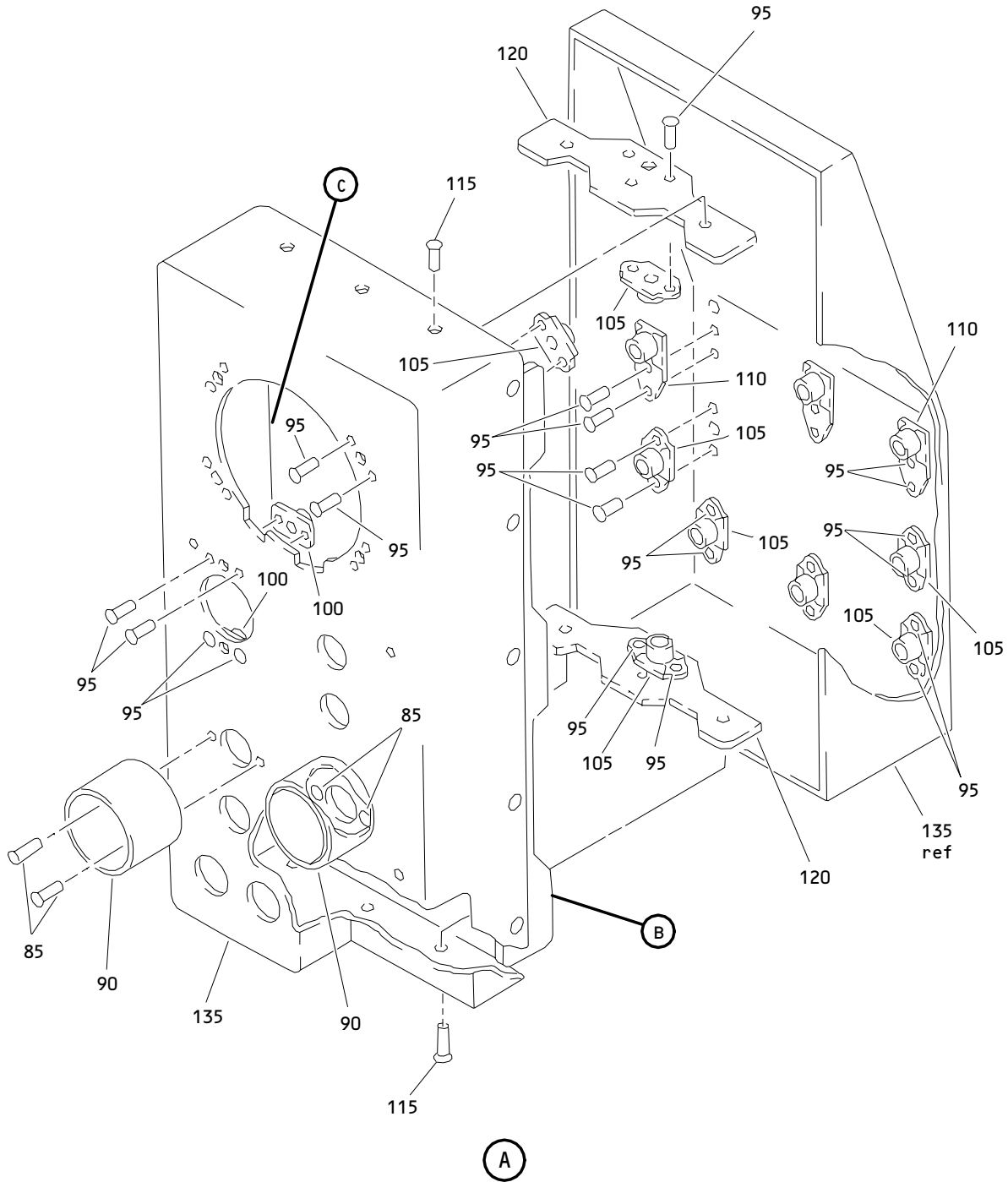
 ILLUSTRATED PARTS LIST
 01.1 Page 1018
 Mar 01/03



APU Shutdown Panel Assembly P40
 Figure 1 (Sheet 1)

26-15-46

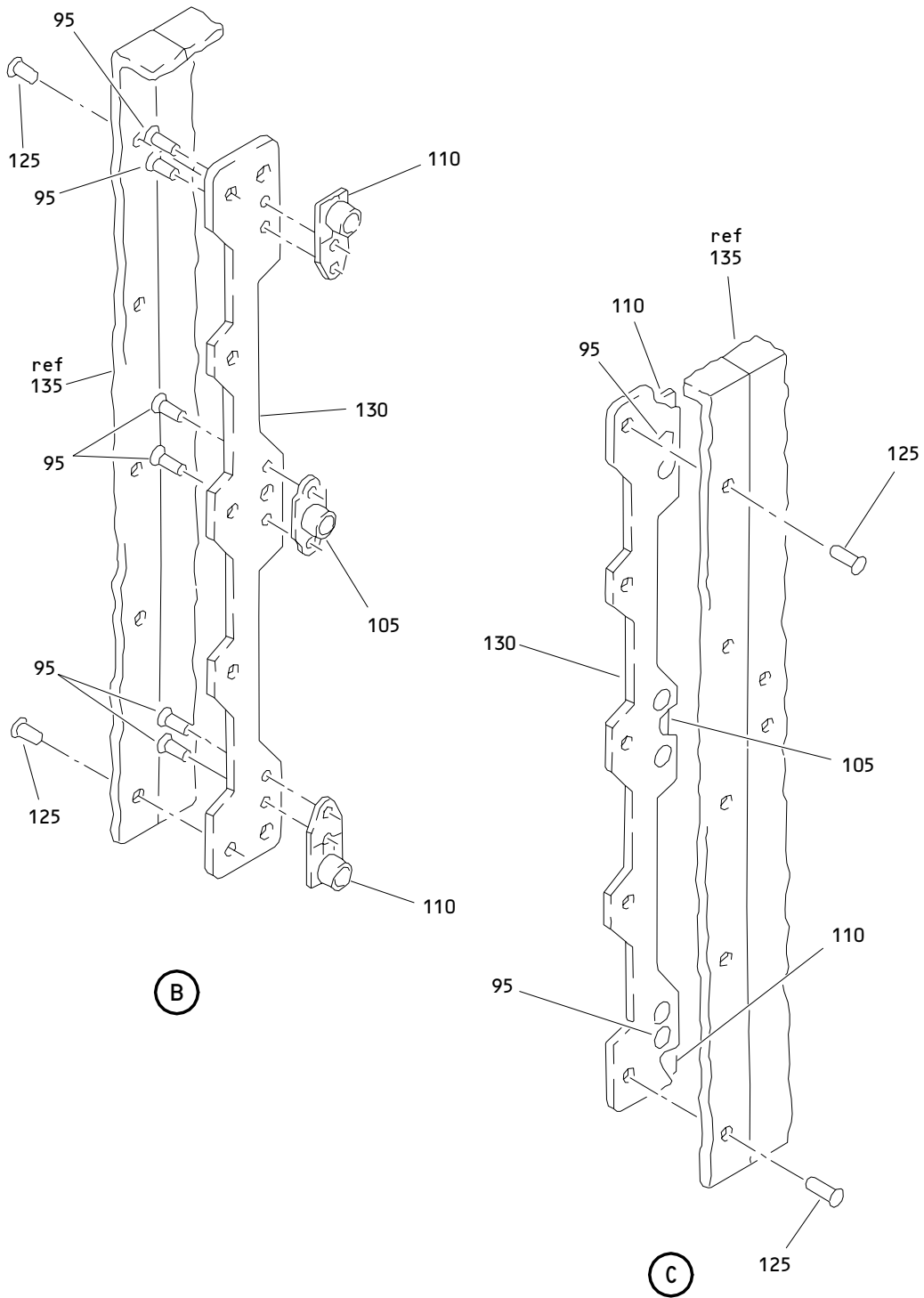
ILLUSTRATED PARTS LIST
 01.1 Page 1019
 Mar 01/03



APU Shutdown Panel Assembly P40
Figure 1 (Sheet 2)

26-15-46

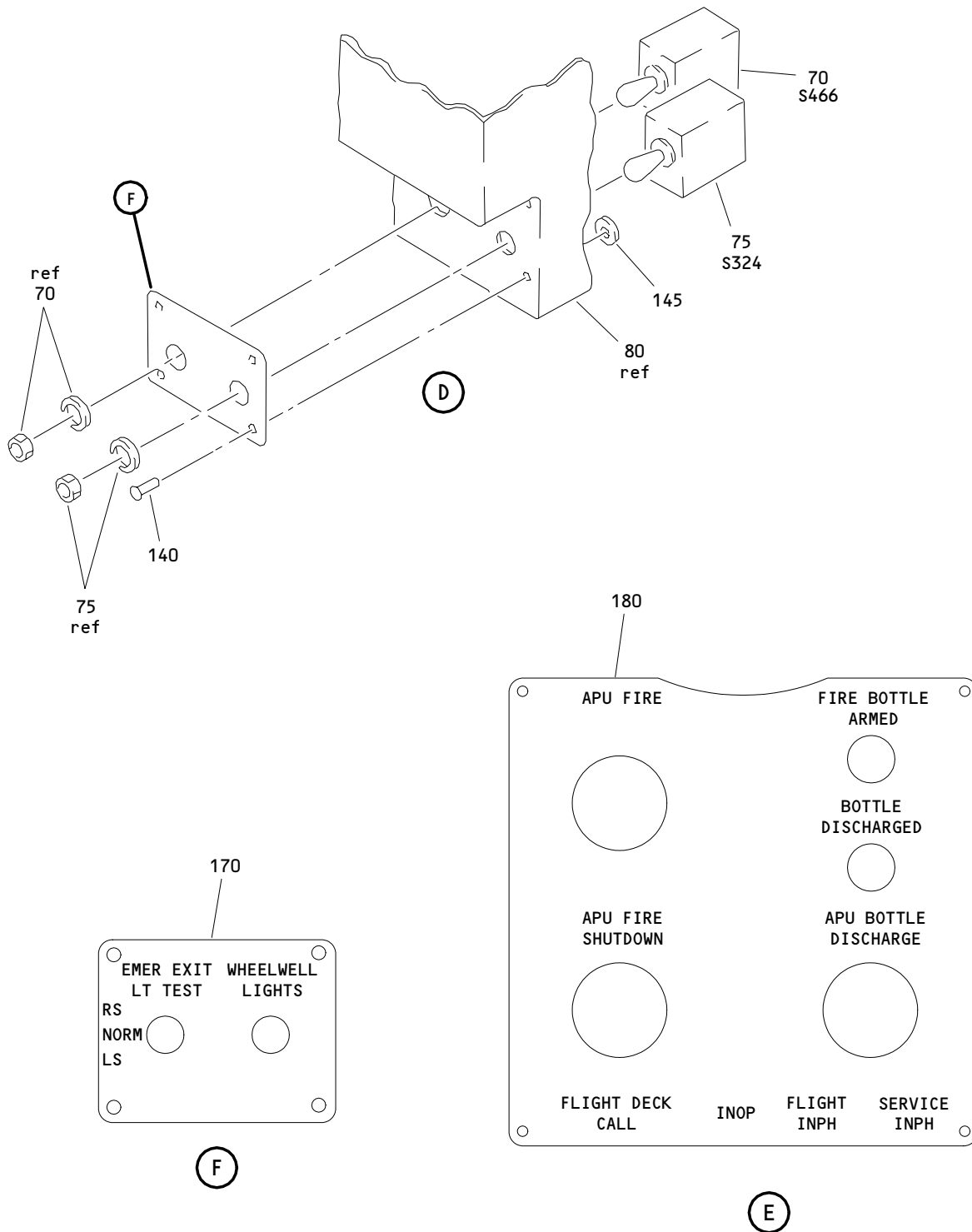
ILLUSTRATED PARTS LIST
01.1 Page 1020
Mar 01/03



APU Shutdown Panel Assembly P40
Figure 1 (Sheet 3)

26-15-46

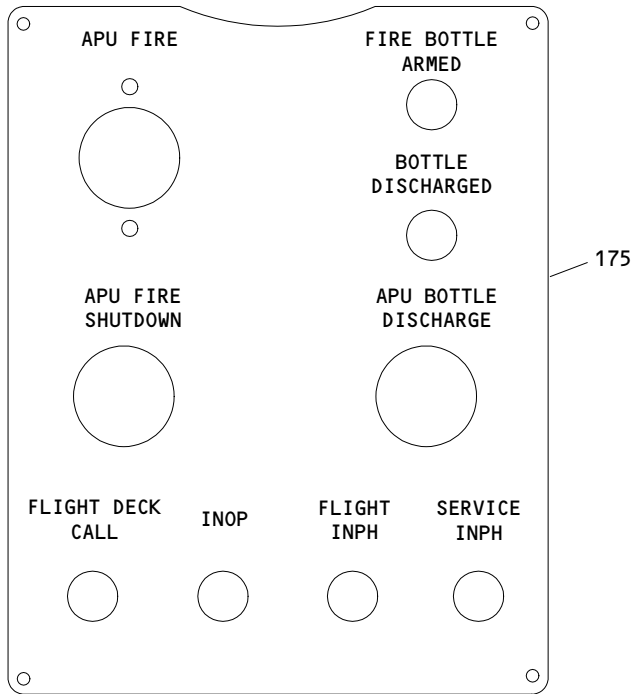
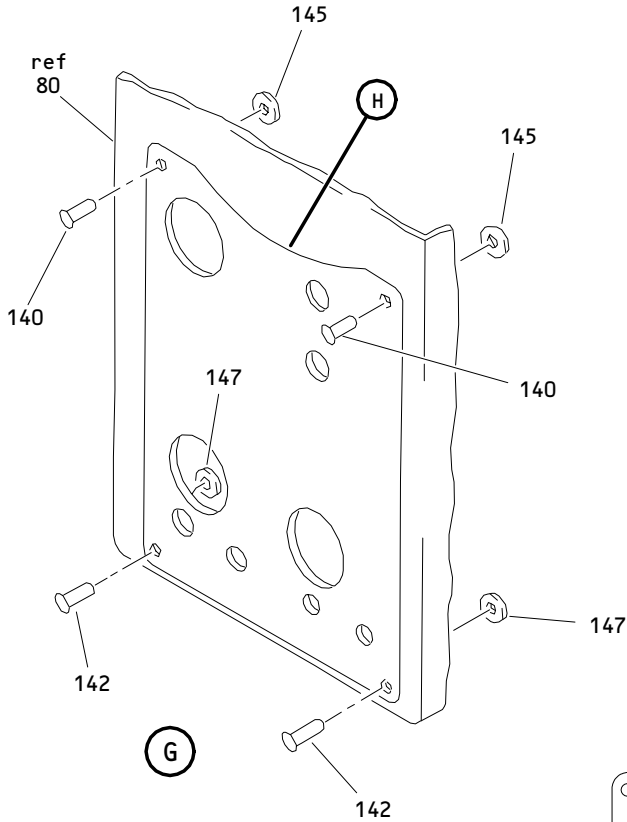
ILLUSTRATED PARTS LIST
01.1 Page 1021
Mar 01/03



APU Shutdown Panel Assembly P40
 Figure 1 (Sheet 4)

26-15-46

ILLUSTRATED PARTS LIST
 01.1 Page 1022
 Mar 01/03

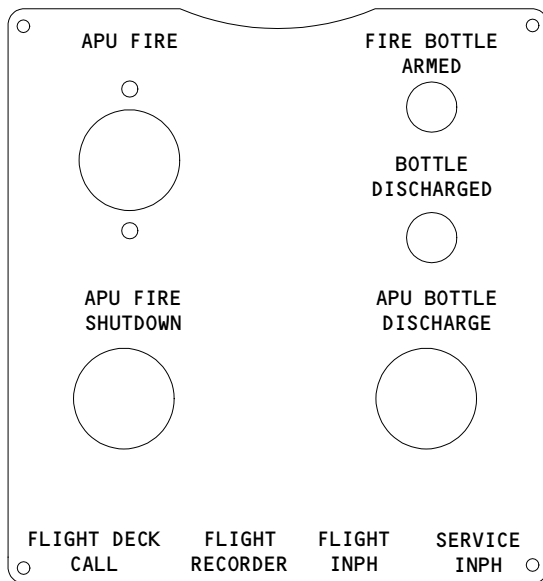


(H)

APU Shutdown Panel Assembly P40
 Figure 1 (Sheet 5)

26-15-46

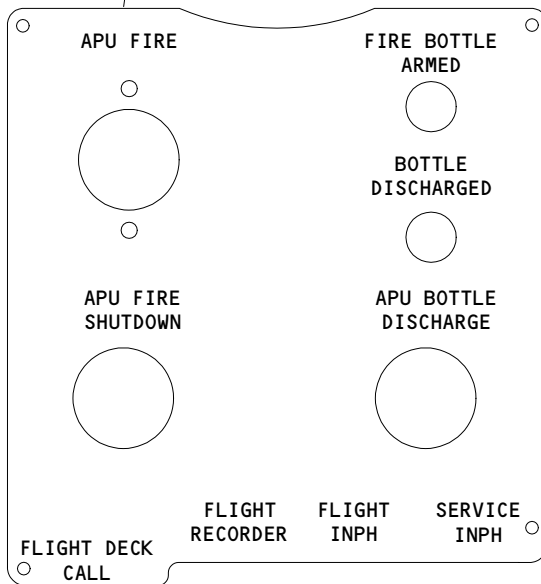
ILLUSTRATED PARTS LIST
 01.1 Page 1023
 Mar 01/03



185

J

190



K

APU Shutdown Panel Assembly P40
 Figure 1 (Sheet 6)

26-15-46

ILLUSTRATED PARTS LIST
 01.1 Page 1024
 Mar 01/03


BOEING
 COMPONENT
 MAINTENANCE MANUAL

FIG. & ITEM	PART NO.	AIRLINE PART NUMBER	NOMENCLATURE 1234567	EFF CODE	QTY PER ASSY
01-					
-1A	284T0719-17		PANEL ASSY-APU SHUTDOWN P40	A	RF
-1B	284T0719-24		PANEL ASSY-APU SHUTDOWN P40	B	RF
-1C	284T0719-29		PANEL ASSY-APU SHUTDOWN P40	C	RF
-1D	284T0719-33		PANEL ASSY-APU SHUTDOWN P40	D	RF
-1E	284T0719-34		PANEL ASSY-APU SHUTDOWN P40	E	RF
-1F	284T0719-18		PANEL ASSY-APU SHUTDOWN P40 (FOR DETAILS SEE FIG. 2)	F	RF
-1G	284T0719-27		PANEL ASSY-APU SHUTDOWN P40 (FOR DETAILS SEE FIG. 2)	G	RF
-1H	284T0719-21		PANEL ASSY-APU SHUTDOWN P40 (FOR DETAILS SEE FIG. 3)	H	RF
-1J	284T0719-30		PANEL ASSY-APU SHUTDOWN P40 (FOR DETAILS SEE FIG. 3)	J	RF
-1K	284T0719-31		DELETED		
-1L	284T0719-32		DELETED		
-1M	284T0719-35		DELETED		
-1N	284T0719-37		DELETED		
-1P	284T0719-302		PANEL ASSY-APU SHUTDOWN P40 (FOR DETAILS SEE FIG. 7)	P	RF
-1Q	284T0719-311		PANEL ASSY-APU SHUTDOWN P40 (FOR DETAILS SEE FIG. 7)	Q	RF
-1R	284T0719-304		DELETED		
-1S	284T0719-307		DELETED		
-1T	284T0719-312		PANEL ASSY-APU SHUTDOWN P40 (FOR DETAILS SEE FIG. 8)	M	RF
-1U	284T0719-313		DELETED		
R -1V	284T0719-354		PANEL ASSY-APU SHUTDOWN P40 (FOR DETAILS SEE FIG. 10)	R	RF
R -1W	284T0719-355		PANEL ASSY-APU SHUTDOWN P40 (FOR DETAILS SEE FIG. 10)	S	RF
R -1X	284T0719-357		PANEL ASSY-APU SHUTDOWN P40 (FOR DETAILS SEE FIG. 11)	T	RF
R -1Y	284T0719-363		PANEL ASSY-APU SHUTDOWN P40 (FOR DETAILS SEE FIG. 11)	U	RF
5	NAS1801-3-12		. SCREW	A-E	4
10	284T0748-1		. GASKET-HORN	A-E	1
15	9643		. HORN- (V80252) (B122)	A-E	1
20	NAS1801-06-10		. SCREW	A-E	2

26-15-46

 ILLUSTRATED PARTS LIST
 01.1 Page 1025
 Mar 01/03



COMPONENT
MAINTENANCE MANUAL

FIG. & ITEM	PART NO.	AIRLINE PART NUMBER	NOMENCLATURE 1234567	EFF CODE	QTY PER ASSY
01-25	69-23884-7		.LIGHT ASSY-FLOOD (L541)	A-E	1
30	A4513-2		..LENS- (V72914)	A-E	1
35	A8985-6		..FLOOD LIGHT ASSY- (V72914)	A-E	1
			(OPT ITEM 35A)		
-35A	A8985-17		..FLOOD LIGHT ASSY- (V72914)	A-E	1
			(OPT ITEM 35)		
40	04-92782-8TL		.LIGHT- (V76854) (L542, L543)	A,B	2
			(ITEM 40 TOGETHER WITH ITEM 45 OR ITEM 40A OPT ITEM 40B. ITEM 40C IS PREFERRED OPT FOR SPARES ONLY.)		
-40A	BCREF1709		.LIGHT- (V76854) (04-92782-8TL1864) (L542, L543)	A,B	2
			(ITEM 40 TOGETHER WITH ITEM 45 OR ITEM 40A OPT ITEM 40B. ITEM 40C IS PREFERRED OPT FOR SPARES ONLY.)		
-40B	5-86556-808		.LIGHT- (V76854) (L542, L543)	A,B	2
			(ITEM 40 TOGETHER WITH ITEM 45 OR ITEM 40A OPT ITEM 40B. ITEM 40C IS PREFERRED OPT FOR SPARES ONLY.)		
-40C	06-91182-12		.LIGHT- (V76854) (L542, L543)	A,B	2
			(ITEM 40 TOGETHER WITH ITEM 45 OR ITEM 40A OPT ITEM 40B. ITEM 40C IS PREFERRED OPT FOR SPARES ONLY.)		

26-15-46


BOEING
 COMPONENT
 MAINTENANCE MANUAL

FIG. & ITEM	PART NO.	AIRLINE PART NUMBER	NOMENCLATURE 1234567	EFF CODE	QTY PER ASSY
01- -40D	06-91182-12		.LIGHT- (V76854) (L542, L543)	C-E	2
-45	1864		.LAMP- (ITEM 40 TOGETHER WITH ITEM 45 OR ITEM 40A OPT ITEM 40B. ITEM 40C IS PREFERRED OPT FOR SPARES ONLY.)	A,B	2
-45A	1864		.LAMP	C-E	2
50	284T0743-2		.GUARD-SWITCH	A-E	1
55	MS25089-1C		.SWITCH- (S426)	A-E	1
60	69B47882-1		.COVER	A-E	3
65	NAS549GL716		.WASHER	A-E	3
70	MS24658-27E		.SWITCH- (S466)	A-E	1
75	MS24658-23D		.SWITCH- (S324)	A-E	1
80	284T0742-40		.HOUSING ASSY-	A-E	1
85	BACR15BA4AD		..RIVET- (SIZE DETERMINE ON INST) (NHA 284T0742)	A-E	4
90	284T0743-1		..GUARD-SWITCH	A-E	2
95	BACR15BA3A		..RIVET- (SIZE DETERMINE ON INST) (NHA 284T0742)	A-E	44
100	BRFM20A06L		..NUTPLATE- (V52828) (SPEC BACN10JN06) (OPT MF1000-06BAC (V15653)) (OPT NS103218-62 (V80539)) (OPT RMF9201M62 (V72962)) (OPT VN252A62L (V92215)) (OPT T8124S06S (V11815)) (OPT T8124S06S (V11815))	A-E	2

26-15-46

ILLUSTRATED PARTS LIST

01.1

Page 1027

Mar 01/03

FIG. & ITEM	PART NO.	AIRLINE PART NUMBER	NOMENCLATURE 1234567	EFF CODE	QTY PER ASSY
01-105	T8099S32SK		..NUTPLATE- (V11815) (SPEC BACN10KA3B) (OPT NS103227-02 (V80539))	A-E	13
110	T8101S1032SK		..NUTPLATE- (V11815) (SPEC BACN10KA3C) (OPT NS103228-02 (V80539))	A-E	7
115	BACR15BA5A		..RIVET- (SIZE DETERMINE ON INST) (NHA 284T0742)	A-E	6
120	284T0742-37		..STRAP	A-E	2
125	BACR15BA5A		..RIVET- (SIZE DETERMINE ON INST) (NHA 284T0742)	A-E	10
130	284T0742-36		..STRAP-SIDE	A-E	2
135	284T0742-34		..HOUSING	A-E	1
140	BACR15BB3A		.RIVET- (SIZE DETERMINE ON INST)	A-E	12
142	BACR15BB3A		.RIVET- (SIZE DETERMINE ON INST)	A	2
144	BACR15BB3A		.RIVET- (SIZE DETERMINE ON INST)	B-E	2
145	AN960PD3		.WASHER	A-E	12
147	AN960PD3		.WASHER	A	2
149	AN960PD3		.WASHER	B-E	2
-150	286T1130		.WIRE BUNDLE ASSY	A-E	1
-155	286T1132		.WIRE BUNDLE ASSY	A-E	1
160	BAC27TEX1429		.MARKER-ALUMINUM FOIL- P 40 APU SHUTDOWN PANEL	A-E	1
165	BAC27TEX1430		.MARKER-ALUMINUM FOIL- APU FIRE WARNING HORN	A-E	1

26-15-46

 ILLUSTRATED PARTS LIST
 01.1 Page 1028
 Mar 01/03


BOEING
 COMPONENT
 MAINTENANCE MANUAL

FIG. & ITEM	PART NO.	AIRLINE PART NUMBER	NOMENCLATURE 1234567	EFF CODE	QTY PER ASSY
01-					
170	BAC27TEX1432		.MARKER-ALUMINUM FOIL	A-E	1
175	BAC27TEX4505		.MARKER-ALUMINUM FOIL	A	1
180	BAC27TEX4596		.MARKER-ALUMINUM FOIL	B,C	1
185	BAC27TEX5054		.MARKER-ALUMINUM FOIL	D	1
190	BAC27TEX5152		.MARKER-ALUMINUM FOIL	E	1
R			BOEING LETTER HISTORY		

- Item Not Illustrated

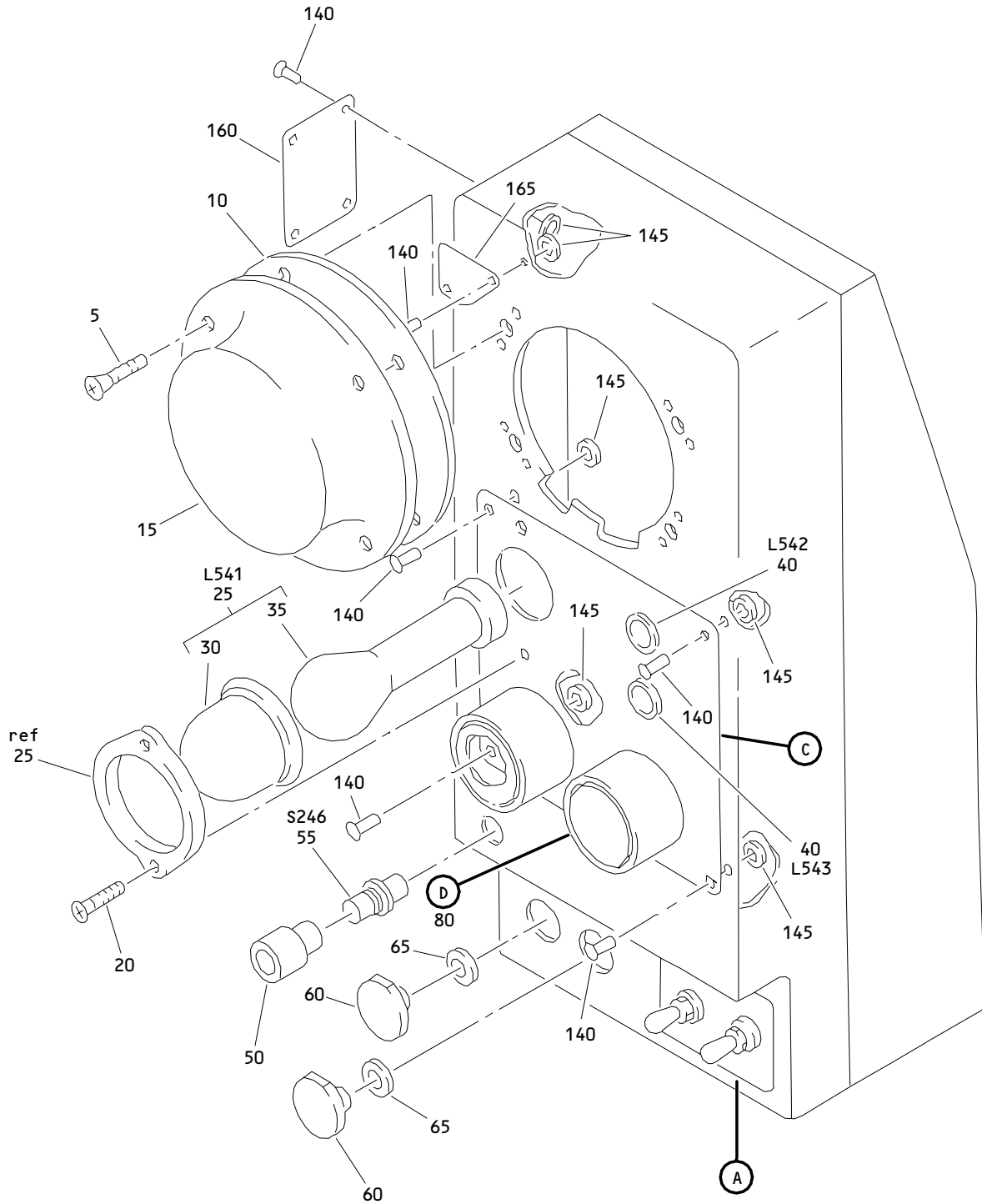
26-15-46

ILLUSTRATED PARTS LIST

01.1

Page 1029

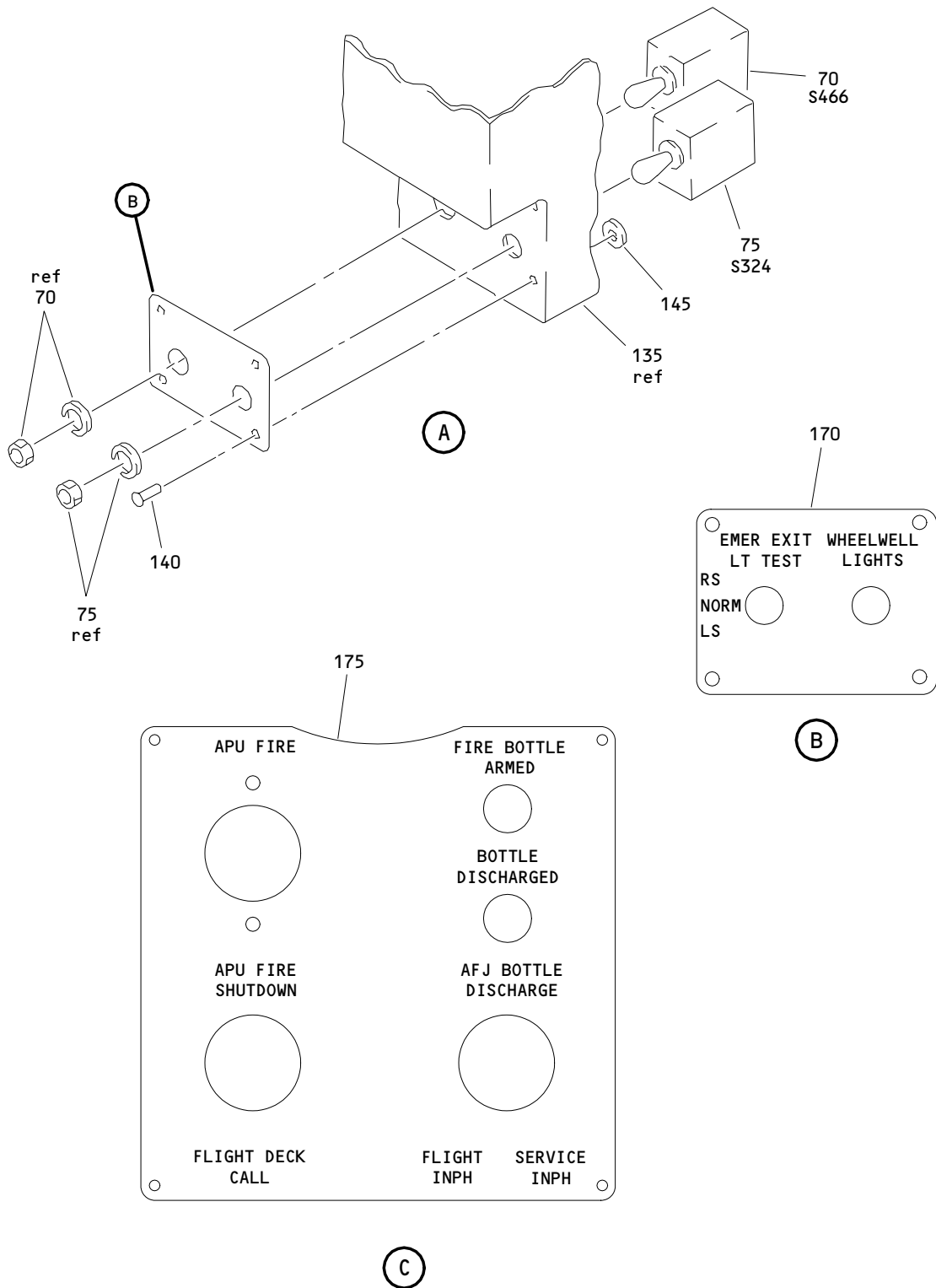
Mar 01/03



APU Shutdown Panel Assembly P40
 Figure 2 (Sheet 1)

26-15-46

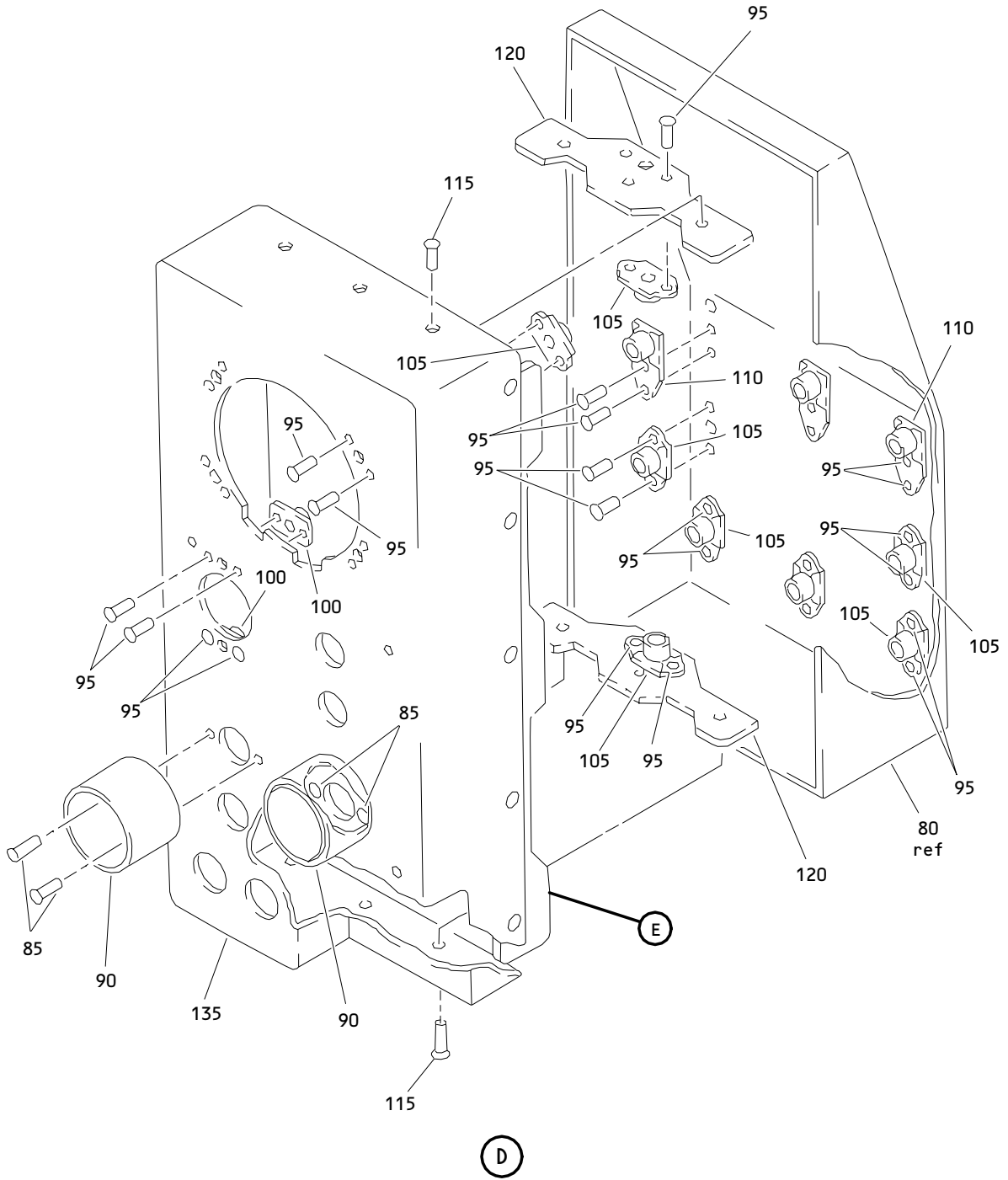
ILLUSTRATED PARTS LIST
 01.1 Page 1031
 Mar 01/03



APU Shutdown Panel Assembly P40
 Figure 2 (Sheet 2)

26-15-46

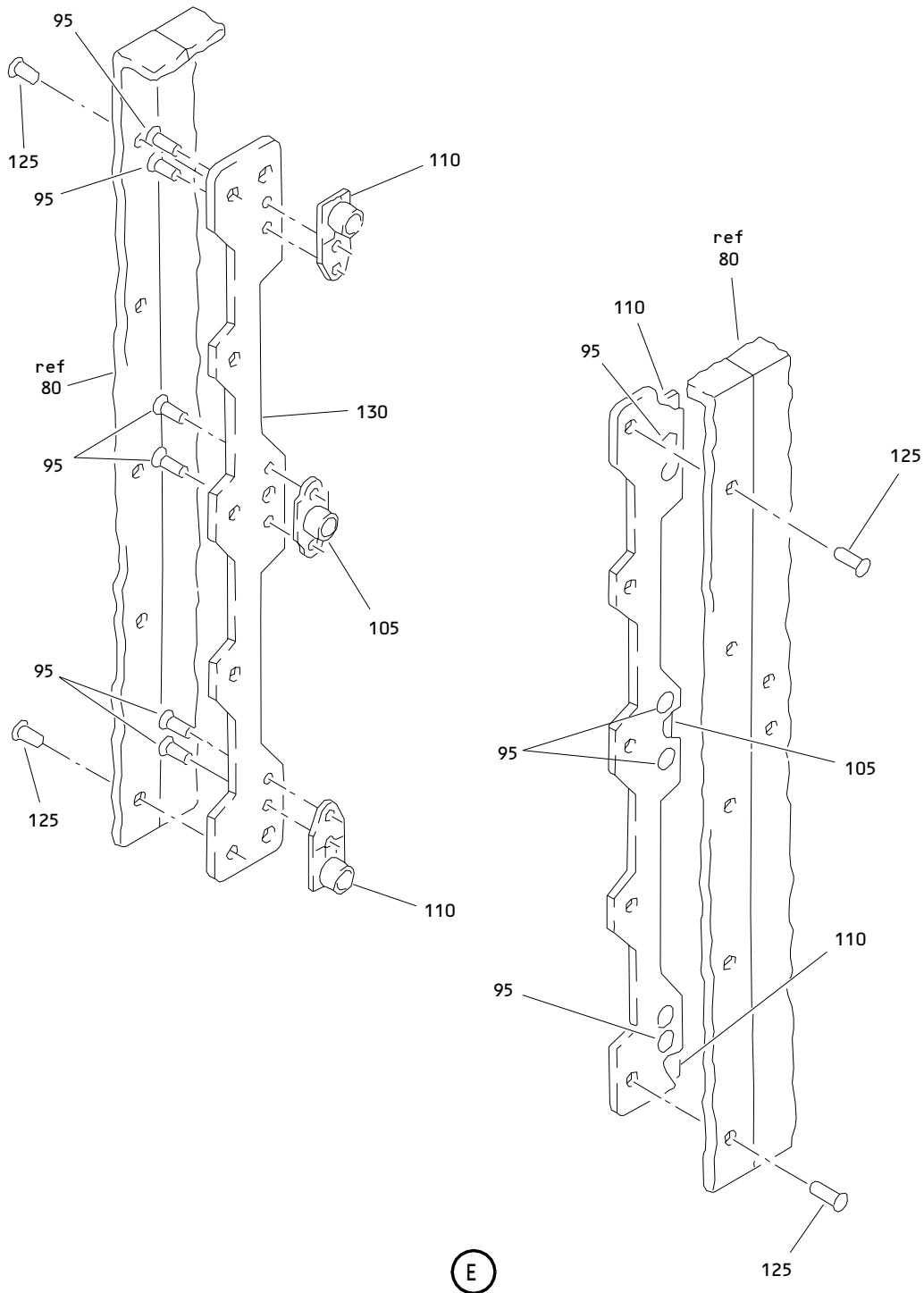
ILLUSTRATED PARTS LIST
 01.1 Page 1032
 Mar 01/03



APU Shutdown Panel Assembly P40
Figure 2 (Sheet 3)

26-15-46

ILLUSTRATED PARTS LIST
01.1 Page 1033
Mar 01/03



(E)

APU Shutdown Panel Assembly P40
Figure 2 (Sheet 4)

26-15-46

ILLUSTRATED PARTS LIST
01.1 Page 1034
Mar 01/03


BOEING
 COMPONENT
 MAINTENANCE MANUAL

FIG. & ITEM	PART NO.	AIRLINE PART NUMBER	NOMENCLATURE 1234567	EFF CODE	QTY PER ASSY
02-					
-1A	284T0719-18		PANEL ASSY-APU SHUTDOWN P40	F	RF
-1B	284T0719-27		PANEL ASSY-APU SHUTDOWN P40	G	RF
5	NAS1801-3-12		.SCREW	F,G	4
10	284T0748-1		.GASKET-HORN	F,G	1
15	9643		.HORN- (V80252) (B122)	F,G	1
20	NAS1801-06-10		.SCREW	F,G	2
25	69-23884-7		.LIGHT ASSY-FLLOOD (L541)	F,G	1
30	A4513-2		..LENS- (V72914)	F,G	1
35	A8985-6		..FLOOD LIGHT ASSY- (V72914) (OPT ITEM 35A)	F,G	1
-35A	A8985-17		..FLOOD LIGHT ASSY- (V72914) (OPT ITEM 35)	F,G	1
40	04-92782-8TL		.LIGHT- (V76854) (L542, L543) (ITEM 40 TOGETHER WITH ITEM 45 OR ITEM 40A OPT ITEM 40B. ITEM 40C IS PREFERRED OPT FOR SPARES ONLY.)	F	2
-40A	BCREF1709		.LIGHT- (V76854) (04-92782-8TL1864) (L542, L543) (ITEM 40 TOGETHER WITH ITEM 45 OR ITEM 40A OPT ITEM 40B. ITEM 40C IS PREFERRED OPT FOR SPARES ONLY.)	F	2
-40B	5-86556-808		.LIGHT- (V76854) (L542, L543) (ITEM 40 TOGETHER WITH ITEM 45 OR ITEM 40A OPT ITEM 40B. ITEM 40C IS PREFERRED OPT FOR SPARES ONLY.)	F	2

26-15-46

 ILLUSTRATED PARTS LIST
 01.1 Page 1035
 Mar 01/03

FIG. & ITEM	PART NO.	AIRLINE PART NUMBER	NOMENCLATURE 1234567	EFF CODE	QTY PER ASSY
02- -40C	06-91182-12		.LIGHT- (V76854) (L542, L543) (ITEM 40 TOGETHER WITH ITEM 45 OR ITEM 40A OPT ITEM 40B. ITEM 40C IS PREFERRED OPT FOR SPARES ONLY.)	F	2
-40D	06-91182-12		.LIGHT- (V76854) (L542, L543)	G	2
-45	1864		.LAMP- (ITEM 40 TOGETHER WITH ITEM 45 OR ITEM 40A OPT ITEM 40B. ITEM 40C IS PREFERRED OPT FOR SPARES ONLY.)	F	2
-45A	1864		.LAMP	G	2
50	284T0743-2		.GUARD-SWITCH	F,G	1
55	MS25089-1C		.SWITCH- (S426)	F,G	1
60	69B47882-1		.COVER	F,G	2
65	NAS549GL716		.WASHER	F,G	2
70	MS24658-27E		.SWITCH- (S466)	F,G	1
75	MS24658-23D		.SWITCH- (S324)	F,G	1
80	284T0742-46		.HOUSING ASSY-	F,G	1
85	BACR15BA4AD		..RIVET- (SIZE DETERMINE ON INST) (NHA 284T0742)	F,G	4
90	284T0743-1		..GUARD-SWITCH	F,G	2
95	BACR15BA3A		..RIVET- (SIZE DETERMINE ON INST) (NHA 284T0742)	F,G	44

26-15-46

ILLUSTRATED PARTS LIST

01.1

Page 1036

Mar 01/03


BOEING
 COMPONENT
 MAINTENANCE MANUAL

FIG. & ITEM	PART NO.	AIRLINE PART NUMBER	NOMENCLATURE 1234567	EFF CODE	QTY PER ASSY
02-100	BRFM20A06L		..NUTPLATE- (V52828) (SPEC BACN10JN06) (OPT MF1000-06BAC (V15653)) (OPT NS103218-62 (V80539)) (OPT RMF9201M62 (V72962)) (OPT VN252A62L (V92215)) (OPT T8124S06S (V11815)) (OPT T8124S06S (V11815))	F,G	2
105	T8099S32SK		..NUTPLATE- (V11815) (SPEC BACN10KA3B) (OPT NS103227-02 (V80539))	F,G	13
110	T8101S1032SK		..NUTPLATE- (V11815) (SPEC BACN10KA3C) (OPT NS103228-02 (V80539))	F,G	7
115	BACR15BA5A		..RIVET- (SIZE DETERMINE ON INST) (NHA 284T0742)	F,G	6
120	284T0742-37		..STRAP	F,G	2
125	BACR15BA5A		..RIVET- (SIZE DETERMINE ON INST) (NHA 284T0742)	F,G	10
130	284T0742-36		..STRAP-SIDE	F,G	2
135	284T0742-44		..HOUSING	F,G	1
140	BACR15BB3A		.RIVET- (SIZE DETERMINE ON INST)	F,G	14
145	AN960PD3		.WASHER	F,G	14

26-15-46

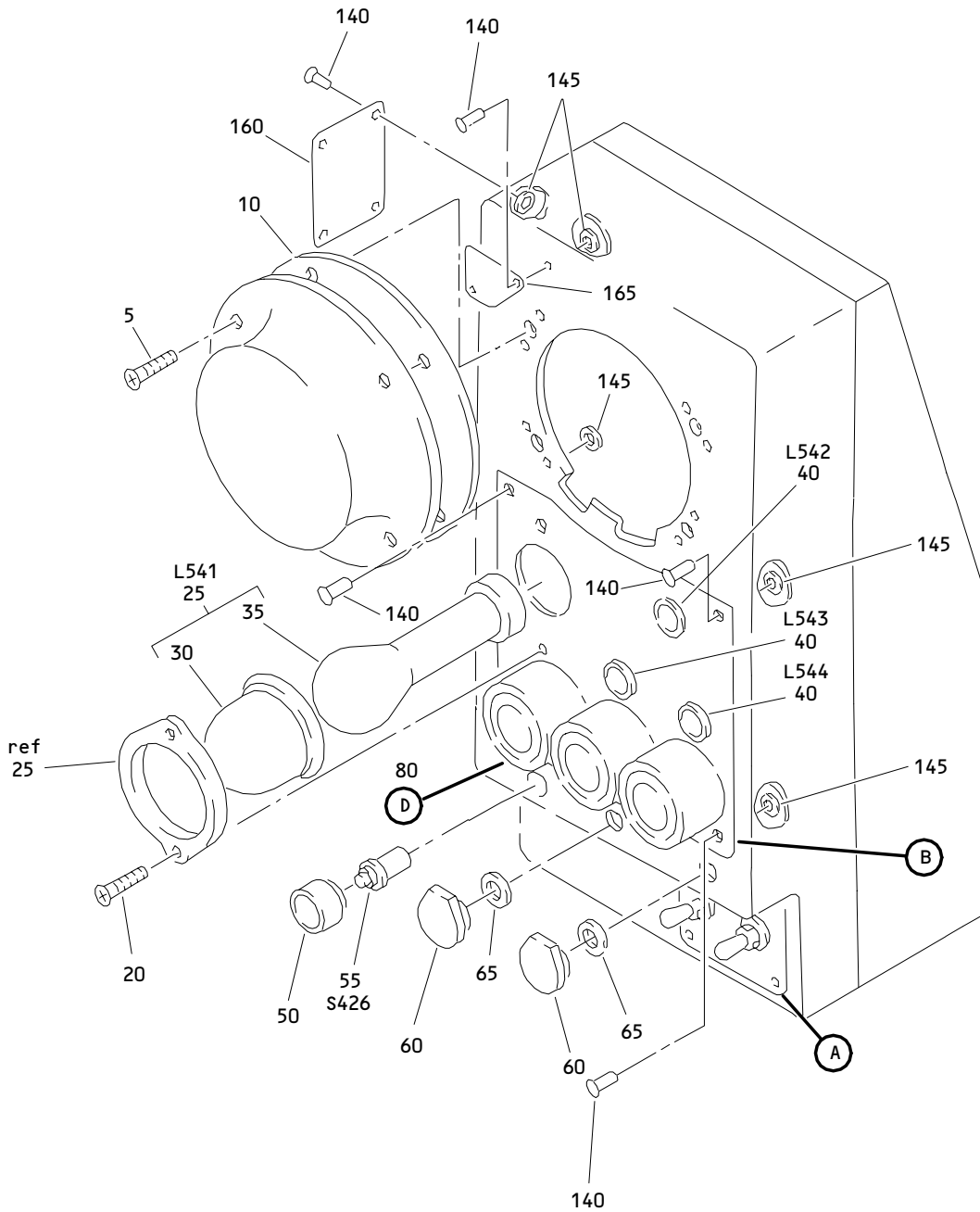
 ILLUSTRATED PARTS LIST
 01.1 Page 1037
 Mar 01/03

FIG. & ITEM	PART NO.	AIRLINE PART NUMBER	NOMENCLATURE 1234567	EFF CODE	QTY PER ASSY
02-					
-150	286T1130		.WIRE BUNDLE ASSY	F,G	1
-155	286T1132		.WIRE BUNDLE ASSY	F,G	1
160	BAC27TEX1429		.MARKER-ALUMINUM FOIL- P 40 APU SHUTDOWN PANEL	F,G	1
165	BAC27TEX1430		.MARKER-ALUMINUM FOIL- APU FIRE WARNING HORN	F,G	1
170	BAC27TEX1432		.MARKER-ALUMINUM FOIL	F,G	1
175	BAC27TEX4347		.MARKER-ALUMINUM FOIL	F,G	1

- Item Not Illustrated

26-15-46

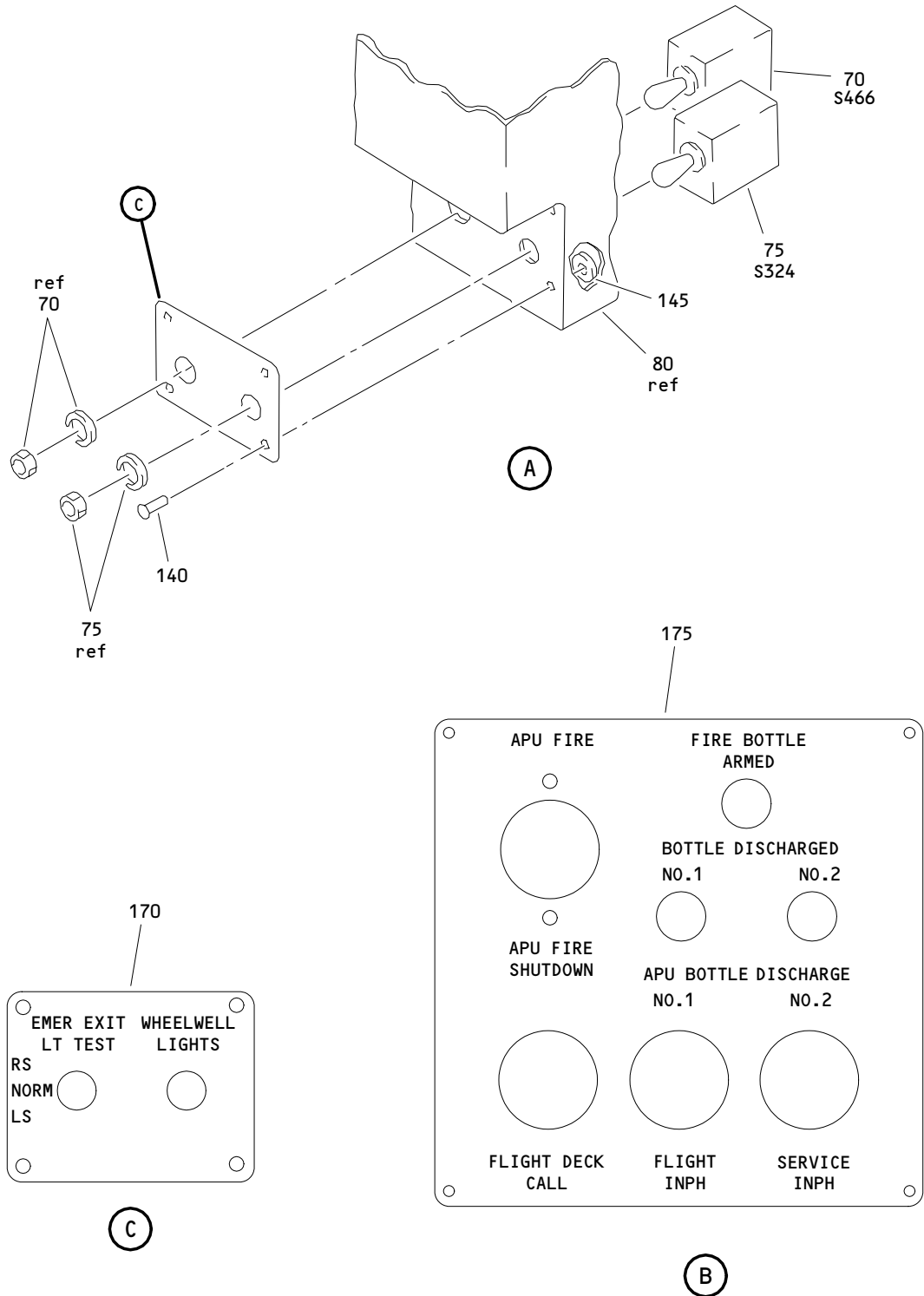
ILLUSTRATED PARTS LIST
 01.1 Page 1038
 Mar 01/03



APU Shutdown Panel Assembly P40
 Figure 3 (Sheet 1)

26-15-46

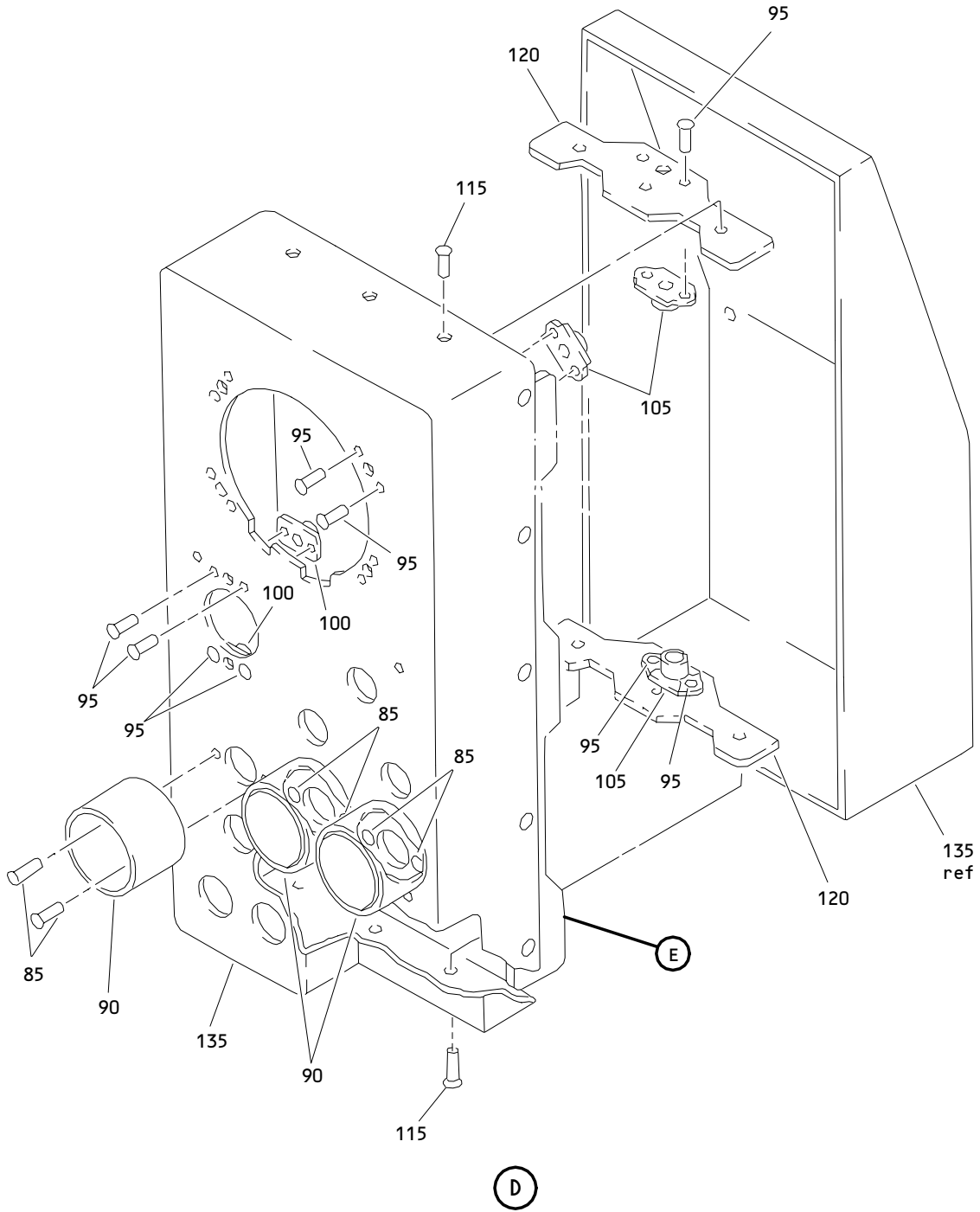
ILLUSTRATED PARTS LIST
 01.1 Page 1039
 Mar 01/03



APU Shutdown Panel Assembly P40
 Figure 3 (Sheet 2)

26-15-46

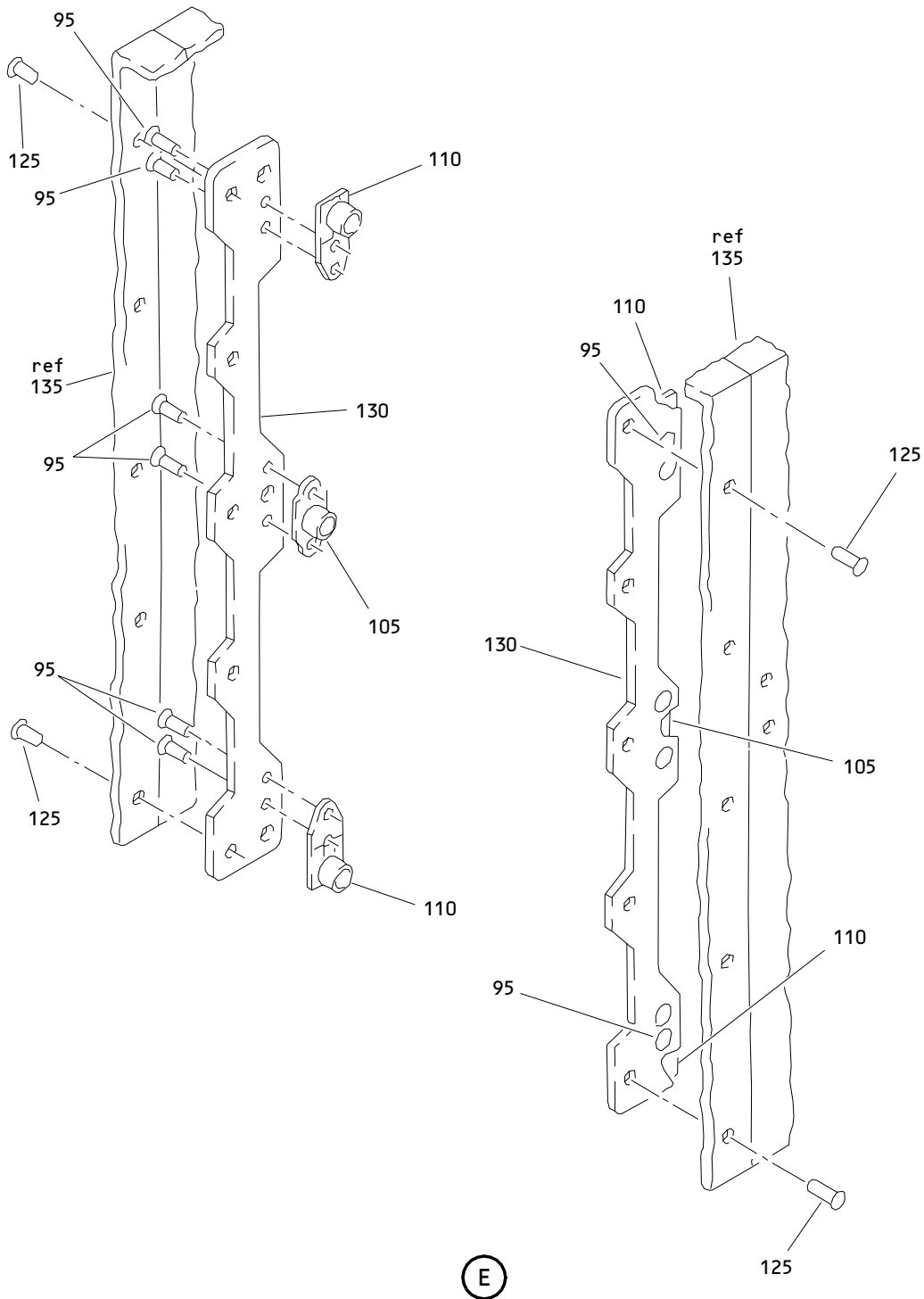
ILLUSTRATED PARTS LIST
 01.1 Page 1040
 Mar 01/03



APU Shutdown Panel Assembly P40
Figure 3 (Sheet 3)

26-15-46

ILLUSTRATED PARTS LIST
01.1 Page 1041
Mar 01/03



APU Shutdown Panel Assembly P40
 Figure 3 (Sheet 4)

26-15-46

ILLUSTRATED PARTS LIST
 01.1 Page 1042
 Mar 01/03


BOEING
 COMPONENT
 MAINTENANCE MANUAL

FIG. & ITEM	PART NO.	AIRLINE PART NUMBER	NOMENCLATURE 1234567	EFF CODE	QTY PER ASSY
03-					
-1A	284T0719-21		PANEL ASSY-APU SHUTDOWN P40	H	RF
-1B	284T0719-30		PANEL ASSY-APU SHUTDOWN P40	J	RF
5	NAS1801-3-12		.SCREW	H,J	4
10	284T0748-1		.GASKET-HORN	H,J	1
15	9643		.HORN- (V80252) (B122)	H,J	1
20	NAS1801-06-10		.SCREW	H,J	2
25	69-23884-7		.LIGHT ASSY-FLLOOD (L541)	H,J	1
30	A4513-2		..LENS- (V72914)	H,J	1
35	A8985-6		..FLOOD LIGHT ASSY- (V72914) (OPT ITEM 35A)	H,J	1
40	04-92782-8TL		.LIGHT- (V76854) (L542-L544) (ITEM 40 TOGETHER WITH ITEM 45 OR ITEM 40A OPT ITEM 40B. ITEM 40C IS PREFERRED OPT FOR SPARES ONLY.)	H	3
-40A	BCREF1709		.LIGHT- (V76854) (04-92782-8TL1864) (L542-L544) (ITEM 40 TOGETHER WITH ITEM 45 OR ITEM 40A OPT ITEM 40B. ITEM 40C IS PREFERRED OPT FOR SPARES ONLY.)	H	3
-40B	5-86556-808		.LIGHT- (V76854) (L542-L544) (ITEM 40 TOGETHER WITH ITEM 45 OR ITEM 40A OPT ITEM 40B. ITEM 40C IS PREFERRED OPT FOR SPARES ONLY.)	H	3

26-15-46

 ILLUSTRATED PARTS LIST
 01.1 Page 1043
 Mar 01/03

FIG. & ITEM	PART NO.	AIRLINE PART NUMBER	NOMENCLATURE 1234567	EFF CODE	QTY PER ASSY
03- -40C	06-91182-12		.LIGHT- (V76854) (L542-L544) (ITEM 40 TOGETHER WITH ITEM 45 OR ITEM 40A OPT ITEM 40B. ITEM 40C IS PREFERRED OPT FOR SPARES ONLY.)	H	3
-40D	06-91182-12		.LIGHT- (V76854) (L542-L544)	J	3
-45	1864		.LAMP- (ITEM 40 TOGETHER WITH ITEM 45 OR ITEM 40A OPT ITEM 40B. ITEM 40C IS PREFERRED OPT FOR SPARES ONLY.)	H	3
-45A	1864		.LAMP	J	3
50	284T0743-2		.GUARD-SWITCH	H,J	1
55	MS25089-1C		.SWITCH- (S426)	H,J	1
60	69B47882-1		.COVER	H,J	2
65	NAS549GL716		.WASHER	H,J	2
70	MS24658-27E		.SWITCH- (S466)	H,J	1
75	MS24658-23D		.SWITCH- (S324)	H,J	1
80	284T0742-52		.HOUSING ASSY-	H,J	1
85	BACR15BA4AD		..RIVET- (SIZE DETERMINE ON INST) (NHA 284T0742)	H,J	6
90	284T0743-1		..GUARD-SWITCH	H,J	3
95	BACR15BA3A		..RIVET- (SIZE DETERMINE ON INST) (NHA 284T0742)	H,J	28

26-15-46

 ILLUSTRATED PARTS LIST
 01.1 Page 1044
 Mar 01/03


BOEING
 COMPONENT
 MAINTENANCE MANUAL

FIG. & ITEM	PART NO.	AIRLINE PART NUMBER	NOMENCLATURE 1234567	EFF CODE	QTY PER ASSY
03-100	BRFM20A06L		..NUTPLATE- (V52828) (SPEC BACN10JN06) (OPT MF1000-06BAC (V15653)) (OPT NS103218-62 (V80539)) (OPT RMF9201M62 (V72962)) (OPT VN252A62L (V92215)) (OPT T8124S06S (V11815)) (OPT T8124S06S (V11815))	H,J	2
105	T8099S32SK		..NUTPLATE- (V11815) (SPEC BACN10KA3B) (OPT NS103227-02 (V80539))	H,J	8
110	T8101S1032SK		..NUTPLATE- (V11815) (SPEC BACN10KA3C) (OPT NS103228-02 (V80539))	H,J	4
115	BACR15BA5A		..RIVET- (SIZE DETERMINE ON INST) (NHA 284T0742)	H,J	6
120	284T0742-37		..STRAP	H,J	2
125	BACR15BA5A		..RIVET- (SIZE DETERMINE ON INST) (NHA 284T0742)	H,J	10

26-15-46

 ILLUSTRATED PARTS LIST
 01.1 Page 1045
 Mar 01/03

FIG. & ITEM	PART NO.	AIRLINE PART NUMBER	NOMENCLATURE 1234567	EFF CODE	QTY PER ASSY
03-					
130	284T0742-36		..STRAP-SIDE	H,J	2
135	284T0742-51		..HOUSING	H,J	1
140	BACR15BB3A		.RIVET- (SIZE DETERMINE ON INST)	H,J	14
145	AN960PD3		.WASHER	H,J	14
-150	286T1130		.WIRE BUNDLE ASSY	H,J	1
-155	286T1132		.WIRE BUNDLE ASSY	H,J	1
160	BAC27TEX1429		.MARKER-ALUMINUM FOIL- P 40 APU SHUTDOWN PANEL	H,J	1
165	BAC27TEX1430		.MARKER-ALUMINUM FOIL- APU FIRE WARNING HORN	H,J	1
170	BAC27TEX1432		.MARKER-ALUMINUM FOIL	H,J	1
175	BAC27TEX4595		.MARKER-ALUMINUM FOIL	H,J	1

- Item Not Illustrated

26-15-46

ILLUSTRATED PARTS LIST
 01.1 Page 1046
 Mar 01/03

Not Used
Figure 4

26-15-46

ILLUSTRATED PARTS LIST
01.1 Page 1048
Mar 01/03


BOEING
 COMPONENT
 MAINTENANCE MANUAL

FIG. & ITEM	PART NO.	AIRLINE PART NUMBER	NOMENCLATURE 1234567	EFF CODE	QTY PER ASSY
04-					
-1A	284T0719-31		DELETED		
5	NAS1801-3-12		DELETED		
10	284T0748-1		DELETED		
15	9643		DELETED		
20	NAS1801-06-10		DELETED		
25	69-23884-7		DELETED		
30	A4513-2		DELETED		
35	A8985-6		DELETED		
-35A	A8985-17		DELETED		
40	06-91182-12		DELETED		
45	1864		DELETED		
50	NAS600-7P		DELETED		
55	MS21044N04		DELETED		
60	284T0743-2		DELETED		
65	MS25089-1C		DELETED		
70	69B47882-1		DELETED		
75	NAS549GL716		DELETED		
80	MS24658-27E		DELETED		
85	MS24658-23D		DELETED		
90	NAS1801-04-7		DELETED		
95	H10-04BAC		DELETED		
100	284T0742-55		DELETED		
105	BACR15BA4AD		DELETED		
110	284T0743-1		DELETED		
115	BACR15BA3A		DELETED		
120	BRFM20A06L		DELETED		
125	T8099S32SK		DELETED		
130	T8101S1032SK		DELETED		
135	BACR15BA5A		DELETED		
140	284T0744-2		DELETED		

26-15-46

ILLUSTRATED PARTS LIST

01.1

Page 1049

Mar 01/03

FIG. & ITEM	PART NO.	AIRLINE PART NUMBER	NOMENCLATURE 1234567	EFF CODE	QTY PER ASSY
04-					
145	284T0744-4		DELETED		
150	284T0744-5		DELETED		
155	284T0744-1		DELETED		
160	284T0742-56		DELETED		
-165	286T1130		DELETED		
-170	286T1132		DELETED		
175	BACR15BB3A		DELETED		
180	AN960PD3		DELETED		
185	BAC27TEX1429		DELETED		
190	BAC27TEX1430		DELETED		
195	BAC27TEX1432		DELETED		
200	BAC27TEX4787		DELETED		

- Item Not Illustrated

26-15-46

ILLUSTRATED PARTS LIST
 01.1 Page 1050
 Mar 01/03

Not Used
Figure 5

26-15-46

ILLUSTRATED PARTS LIST
01.1 Page 1052
Mar 01/03


BOEING
 COMPONENT
 MAINTENANCE MANUAL

FIG. & ITEM	PART NO.	AIRLINE PART NUMBER	NOMENCLATURE 1234567	EFF CODE	QTY PER ASSY
05-					
-1A	284T0719-32		DELETED		
5	NAS1801-3-12		DELETED		
10	284T0748-1		DELETED		
15	9643		DELETED		
20	NAS1801-06-10		DELETED		
25	69-23884-7		DELETED		
30	A4513-2		DELETED		
35	A8985-6		DELETED		
-35A	A8985-17		DELETED		
40	06-91182-12		DELETED		
45	1864		DELETED		
50	284T0743-2		DELETED		
55	MS25089-1C		DELETED		
60	69B47882-1		DELETED		
65	NAS549GL716		DELETED		
70	MS24658-27E		DELETED		
75	MS24658-23D		DELETED		
80	NAS1801-04-7		DELETED		
85	H10-04BAC		DELETED		
90	284T0742-58		DELETED		
95	BACR15BA4AD		DELETED		
100	284T0743-1		DELETED		
105	BACR15BA3A		DELETED		
110	BRFM20A06L		DELETED		
115	T8099S32SK		DELETED		
120	T8101S1032SK		DELETED		
125	BACR15BA5A		DELETED		
130	284T0744-4		DELETED		
135	284T0744-5		DELETED		
140	284T0744-1		DELETED		

26-15-46

 ILLUSTRATED PARTS LIST
 01.1 Page 1053
 Mar 01/03

FIG. & ITEM	PART NO.	AIRLINE PART NUMBER	NOMENCLATURE 1234567	EFF CODE	QTY PER ASSY
05-					
145	284T0744-2		DELETED		
150	284T0742-57		DELETED		
-155	286T1130		DELETED		
-160	286T1132		DELETED		
165	BACR15BB3A		DELETED		
170	AN960PD3		DELETED		
175	BAC27TEX1429		DELETED		
180	BAC27TEX1430		DELETED		
185	BAC27TEX1432		DELETED		
190	BAC27TEX3187		DELETED		
195	BAC27TEX5005		DELETED		

- Item Not Illustrated

26-15-46

ILLUSTRATED PARTS LIST
 01.1 Page 1054
 Mar 01/03

Not Used
Figure 6

26-15-46

ILLUSTRATED PARTS LIST
01.1 Page 1056
Mar 01/03


BOEING
 COMPONENT
 MAINTENANCE MANUAL

FIG. & ITEM	PART NO.	AIRLINE PART NUMBER	NOMENCLATURE 1234567	EFF CODE	QTY PER ASSY
06-					
-1A	284T0719-35		DELETED		
-1B	284T0719-37		DELETED		
5	NAS1801-3-12		DELETED		
10	284T0748-1		DELETED		
15	9643		DELETED		
20	NAS1801-06-10		DELETED		
25	69-23884-7		DELETED		
30	A4513-2		DELETED		
35	A8985-6		DELETED		
-35A	A8985-17		DELETED		
40	06-91182-12		DELETED		
45	06-91182-12		DELETED		
50	1864		DELETED		
55	1864		DELETED		
60	284T0743-2		DELETED		
65	284T0743-2		DELETED		
70	MS25089-1C		DELETED		
75	MS25089-1C		DELETED		
80	69B47882-1		DELETED		
85	NAS549GL716		DELETED		
90	MS24658-23D		DELETED		
95	NAS1801-04-7		DELETED		
100	H10-04BAC		DELETED		
105	284T0742-25		DELETED		
-105A	284T0742-49		DELETED		
110	BACR15BA4AD		DELETED		
115	284T0743-1		DELETED		
120	BACR15BA3A		DELETED		
125	T8099S32SK		DELETED		
130	BRFM20A06L		DELETED		
135	BACR15BA5A		DELETED		
140	284T0744-2		DELETED		
145	BACR15BA3A		DELETED		
150	T8101S1032SK		DELETED		
155	T8099S32SK		DELETED		

26-15-46

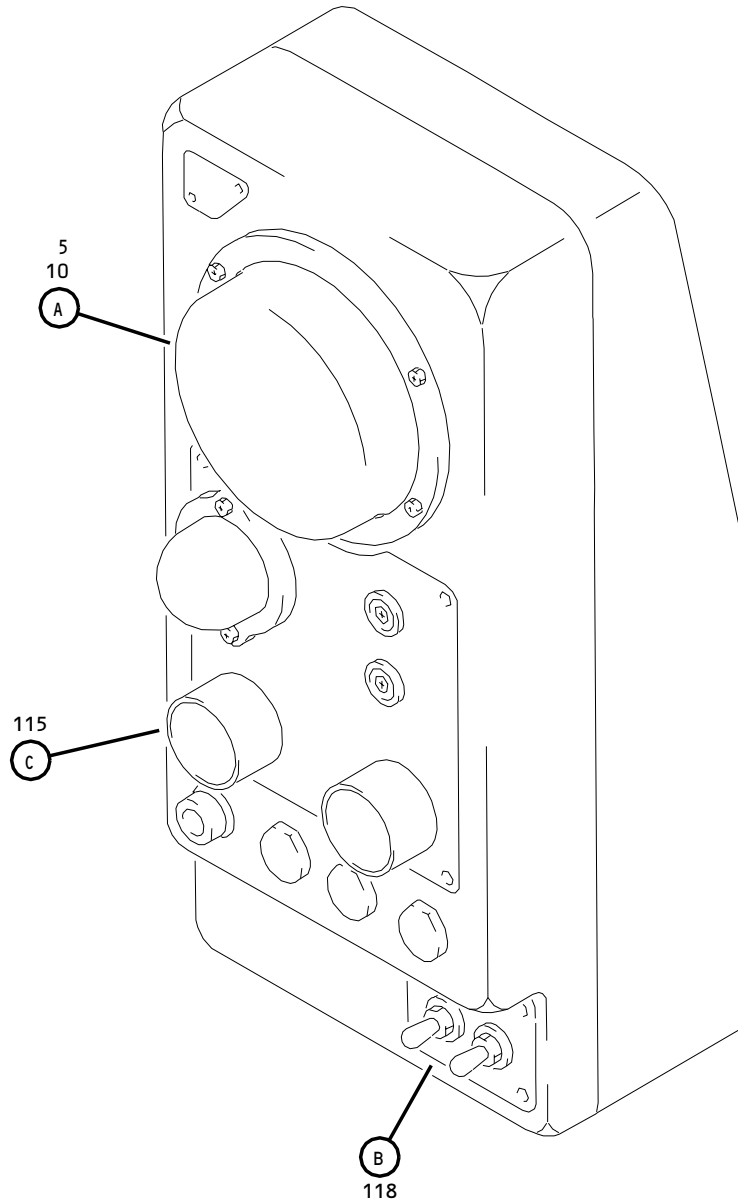
 ILLUSTRATED PARTS LIST
 01.1 Page 1057
 Mar 01/03

FIG. & ITEM	PART NO.	AIRLINE PART NUMBER	NOMENCLATURE 1234567	EFF CODE	QTY PER ASSY
06-					
160	BACR15BA5A		DELETED		
165	284T0744-5		DELETED		
170	284T0744-4		DELETED		
175	BACR15BA5A		DELETED		
180	284T0744-1		DELETED		
185	284T0742-26		DELETED		
-185A	284T0742-50		DELETED		
-190	286T1130		DELETED		
-195	286T1132		DELETED		
200	BACR15BB3A		DELETED		
205	AN960PD3		DELETED		
-205A	NAS1149DN0332K		DELETED		
210	BAC27TEX1430		DELETED		
215	BAC27TEX1429		DELETED		
220	BAC27TEX5229		DELETED		
225	BAC27TEX3186		DELETED		
230	BAC27TEX2997		DELETED		

- Item Not Illustrated

26-15-46

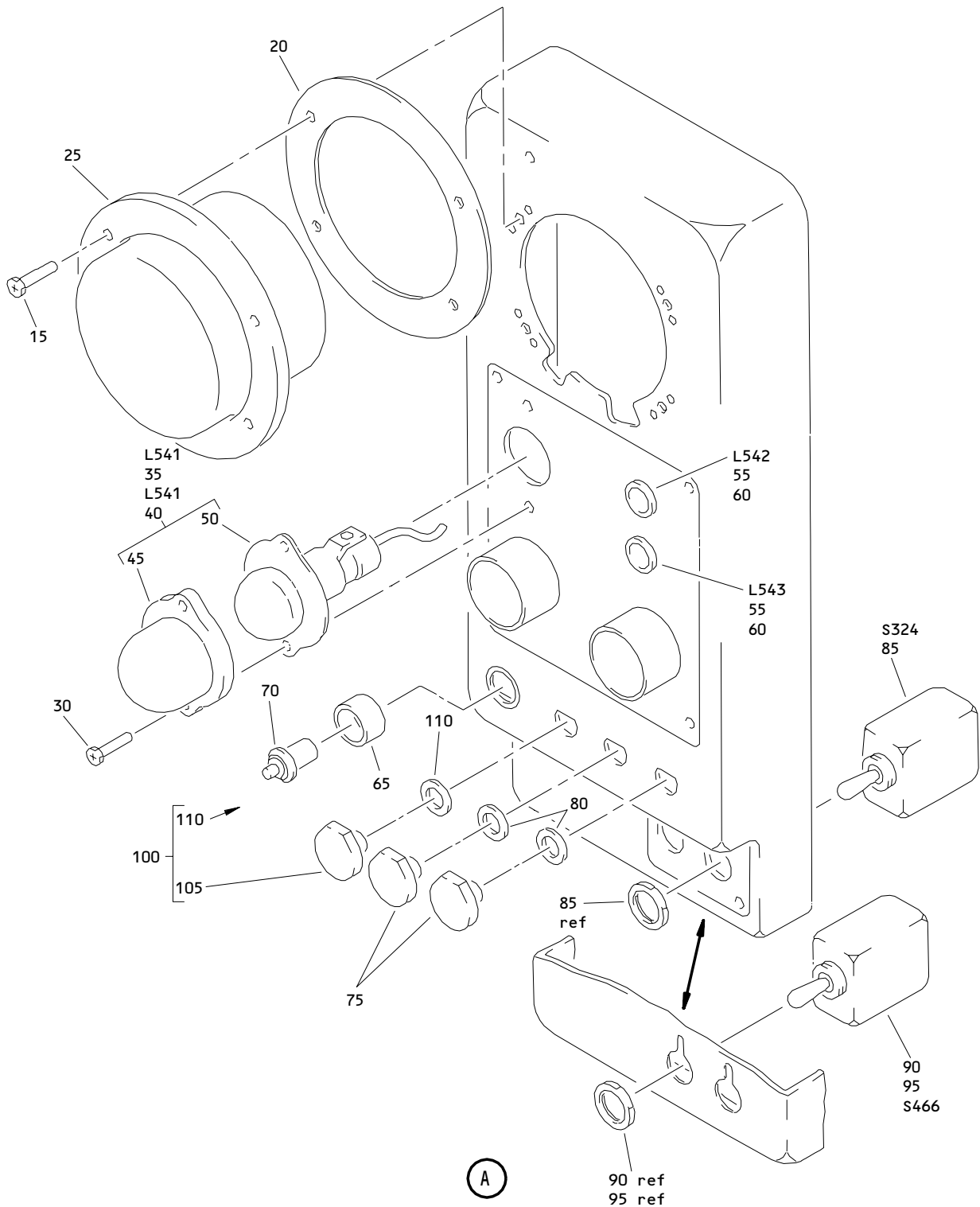
ILLUSTRATED PARTS LIST
 01.1 Page 1058
 Mar 01/03



APU Shutdown Panel Assembly, P40
Figure 7 (Sheet 1)

26-15-46

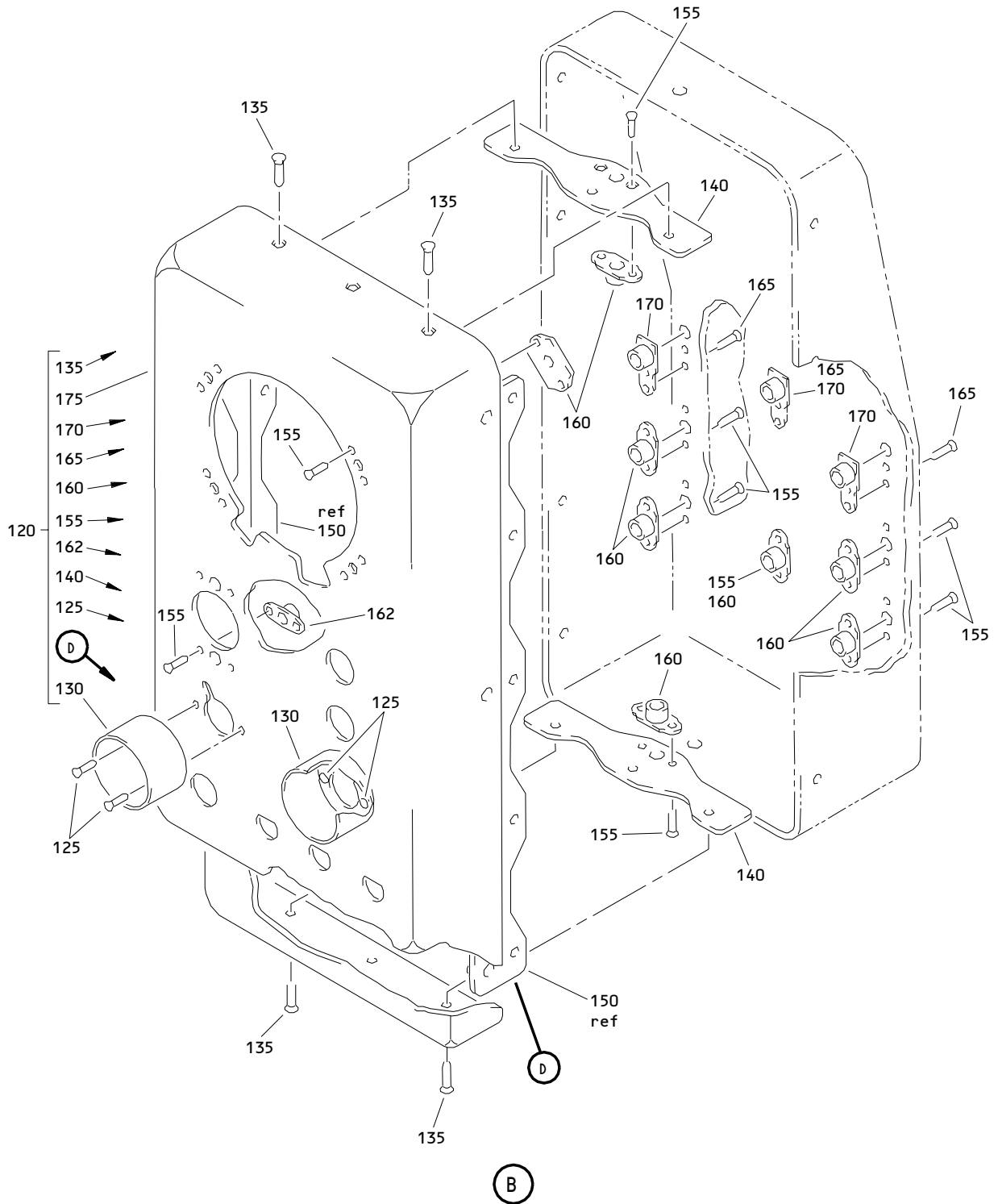
ILLUSTRATED PARTS LIST
01.1 Page 1059
Mar 01/03



APU Shutdown Panel Assembly, P40
 Figure 7 (Sheet 2)

26-15-46

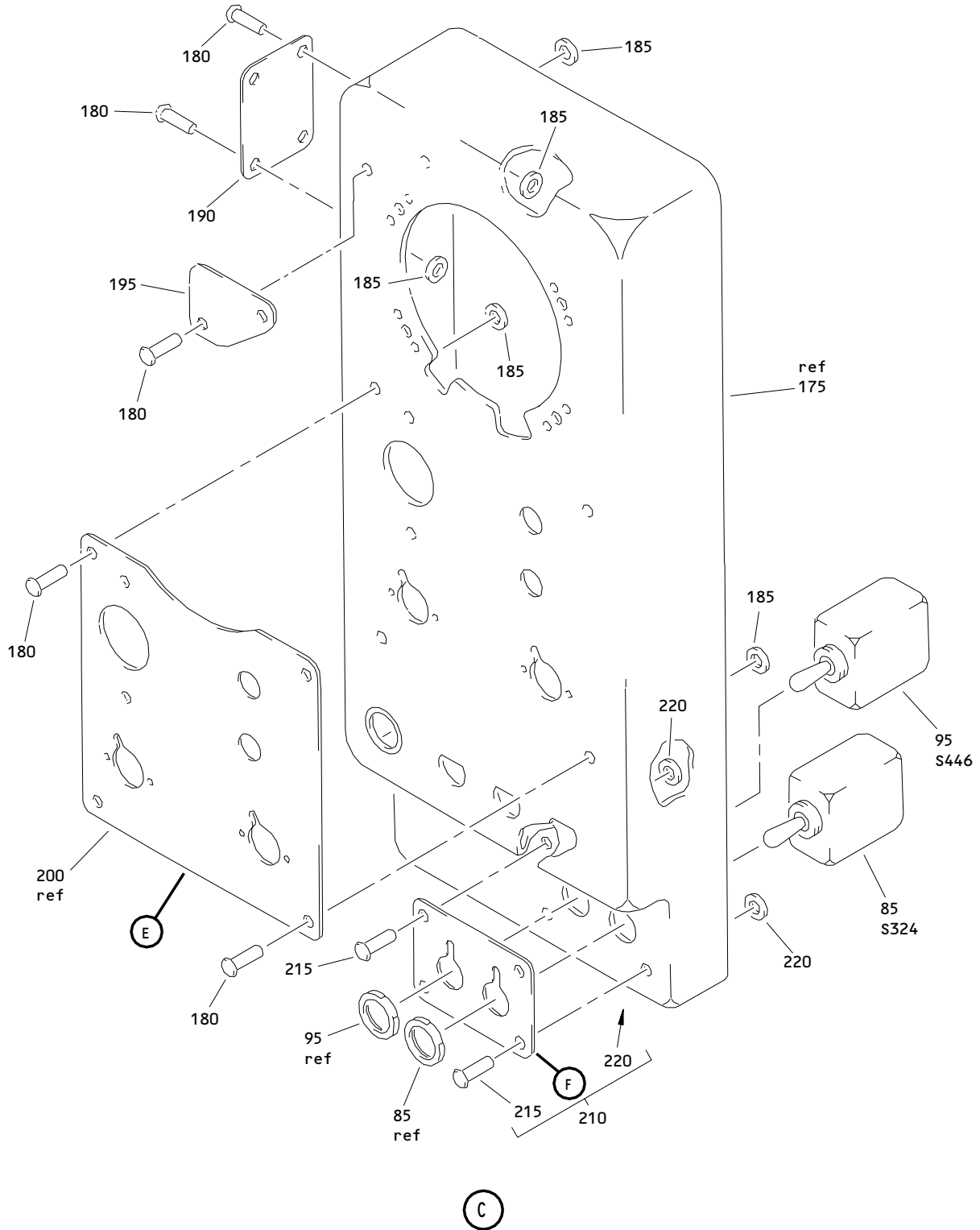
ILLUSTRATED PARTS LIST
 01.1 Page 1060
 Mar 01/03



APU Shutdown Panel Assembly, P40
Figure 7 (Sheet 3)

26-15-46

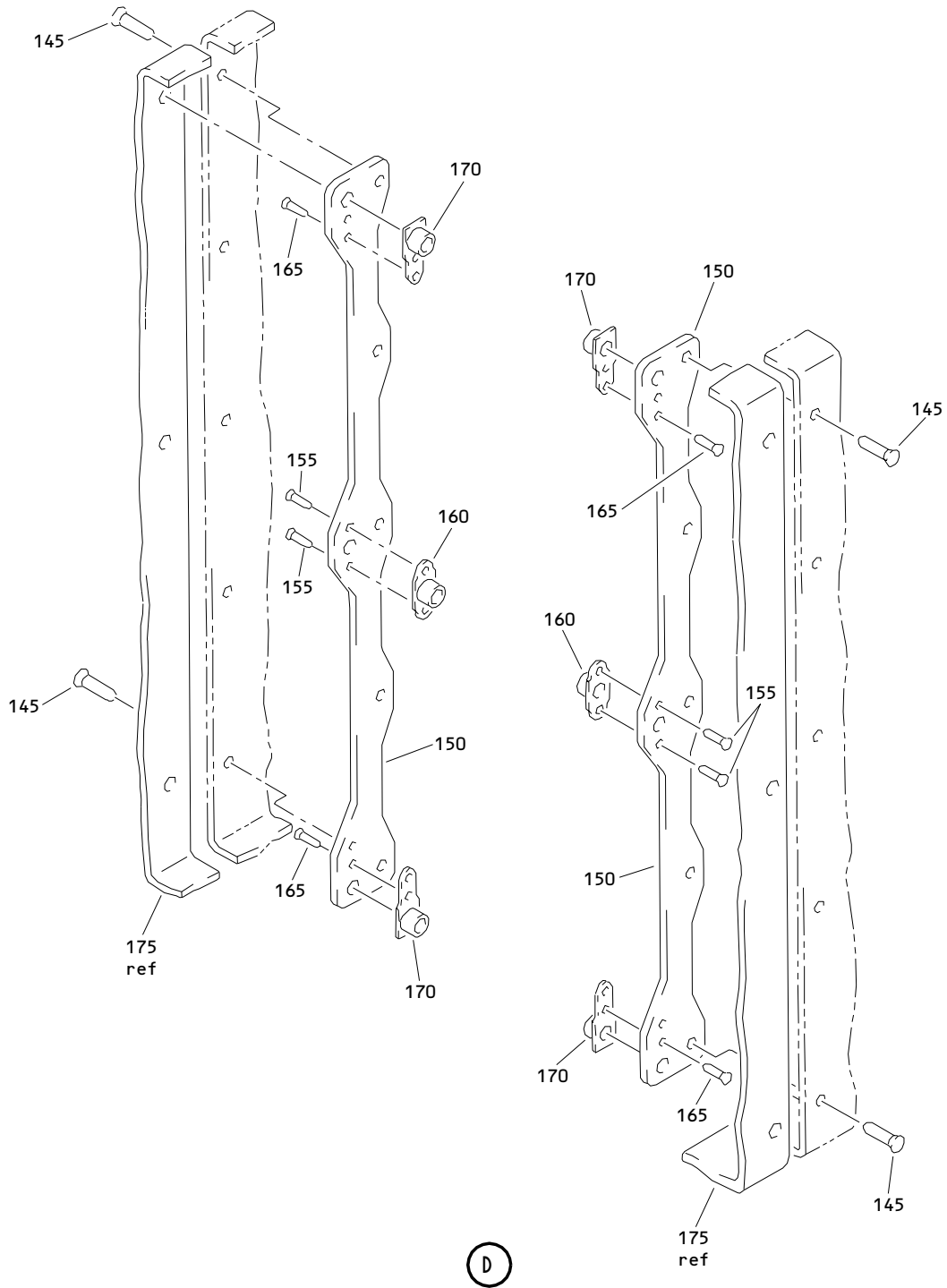
ILLUSTRATED PARTS LIST
01.1 Page 1061
Mar 01/03



APU Shutdown Panel Assembly, P40
 Figure 7 (Sheet 4)

26-15-46

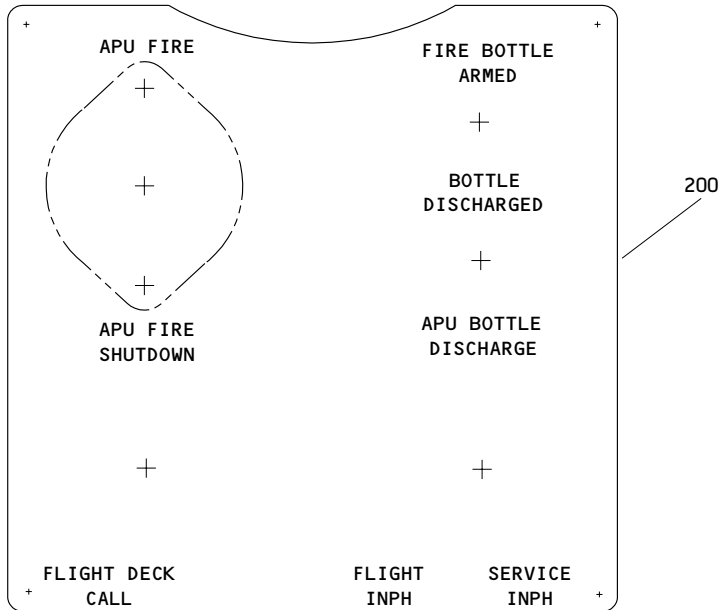
ILLUSTRATED PARTS LIST
 01.1 Page 1062
 Mar 01/03



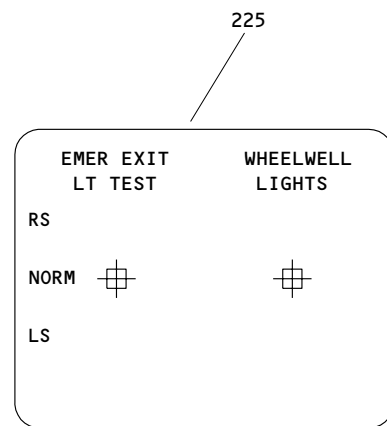
APU Shutdown Panel Assembly, P40
Figure 7 (Sheet 5)

26-15-46

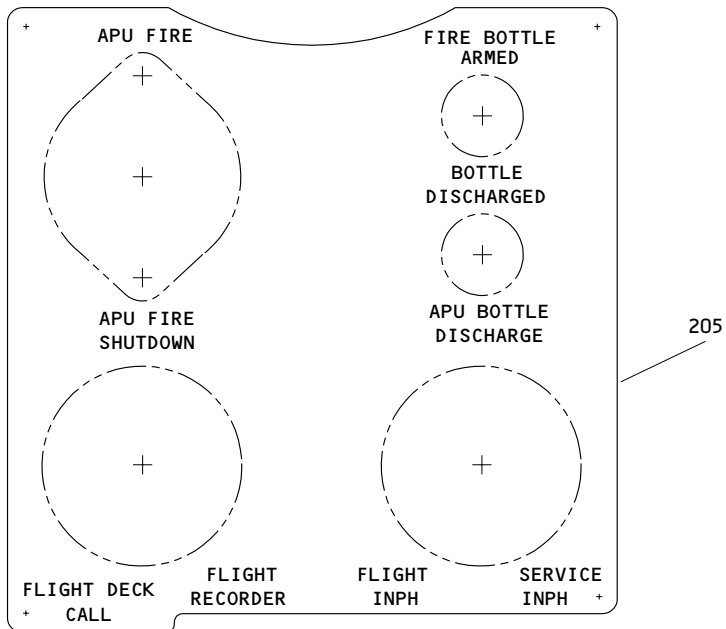
ILLUSTRATED PARTS LIST
01.1 Page 1063
Mar 01/03



(E)



(F)



(G)

APU Shutdown Panel Assembly, P40
 Figure 7 (Sheet 6)

26-15-46

ILLUSTRATED PARTS LIST
 01.1 Page 1064
 Mar 01/03


BOEING
 COMPONENT
 MAINTENANCE MANUAL

FIG. & ITEM	PART NO.	AIRLINE PART NUMBER	NOMENCLATURE 1234567	EFF CODE	QTY PER ASSY
07-					
-1A	284T0719-302		PANEL ASSY-APU SHUTDOWN P40	P	RF
-1B	284T0719-311		PANEL ASSY-APU SHUTDOWN P40	Q	RF
-1C	284T0719-307		DELETED		
5	284T0719-61		.OPTION PACKAGE ASSY	P,Q	1
10	284T0719-70		.OPTION PACKAGE ASSY	Q	1
15	NAS1801-3-12		..SCREW	P	4
-15A	NAS1801-3-12		..SCREW	Q	4
20	284T0748-1		..GASKET-HORN	P	1
-20A	284T0748-1		..GASKET-HORN	Q	1
25	9643		..HORN-	P	1
			(V80252)		
			(B122)		
-25A	9643		..HORN-	Q	1
			(V80252)		
			(B122)		
30	NAS1801-06-10		..SCREW	P	2
-30A	NAS1801-06-10		..SCREW	Q	2
35	69-23884-9		..LIGHT ASSY-FLOOD	P,Q	1
			(L541)		
			(USED ON ITEM 5)		
40	69-23884-7		..LIGHT ASSY-FLOOD	Q	1
			(L541)		
			(USED ON ITEM 10)		
45	A4513-2		...LENS-	P	1
			(V72914)		
-45A	A4513-2		...LENS-	Q	1
			(V72914)		
50	A8985-17		...LIGHT ASSY-	P	1
			(V72914)		
			(OPT ITEM 50A)		

26-15-46

ILLUSTRATED PARTS LIST

01.1

Page 1065

Mar 01/03

FIG. & ITEM	PART NO.	AIRLINE PART NUMBER	NOMENCLATURE 1234567	EFF CODE	QTY PER ASSY
07- -50A	A8985-6		...LIGHT ASSY- (V72914) (OPT ITEM 50)	P	1
-50B	A8985-17		...LIGHT ASSY- (V72914) (OPT ITEM 50C)	Q	1
-50C	A8985-6		...LIGHT ASSY- (V72914) (OPT ITEM 50B)	Q	1
55	06-91182-12		..LIGHT- (V76854) (L542, L543)	P	2
-55A	06-91182-12		..LIGHT- (V76854) (L542, L543)	Q	2
60	1864		..LAMP	P	2
-60A	1864		..LAMP	Q	2
65	284T0743-2		..GUARD-SWITCH	P	1
-65A	284T0743-2		..GUARD-SWITCH	Q	1
70	MS25089-1C		..SWITCH- (S426)	P	1
-70A	MS25089-1C		..SWITCH- (S426)	Q	1
75	2C1079		..COVER-JACK (V82389)	P	2
-75A	2C1079		..COVER-JACK (V82389)	Q	2
80	NAS549GL716		..WASHER	P	2
-80A	NAS549GL716		..WASHER	Q	2
85	MS24658-23D		..SWITCH- (S324)	P	1
-85A	MS24658-23D		..SWITCH- (S324)	Q	1
90	284T0719-64		.OPTION PACKAGE ASSY	P,Q	1
95	MS24658-27E		..SWITCH- (S466)	P,Q	1
100	284T0719-68		.OPTION PACKAGE ASSY	Q	1
105	2C1079		..COVER-JACK (V82389)	Q	1
110	NAS549GL716		..WASHER	Q	1
115	284T0742-202		.HOUSING ASSY	Q	1
-115A	284T0742-203		.HOUSING ASSY	P	1
118	284T0742-82		..OPTION PACKAGE ASSY	Q	1
-118A	284T0742-83		..OPTION PACKAGE ASSY	P	1

26-15-46

ILLUSTRATED PARTS LIST

01.1

Page 1066

Mar 01/03


BOEING
 COMPONENT
 MAINTENANCE MANUAL

FIG. & ITEM	PART NO.	AIRLINE PART NUMBER	NOMENCLATURE 1234567	EFF CODE	QTY PER ASSY
07-					
120	284T0742-40		...HOUSING ASSY	Q	1
-120A	284T0742-46		...HOUSING ASSY	P	1
125	BACR15BA4AD	RIVET- (SIZE DETERMINE ON INST) (NHA 284T0742)	P,Q	4
130	284T0743-1	GUARD-SWITCH	P,Q	2
135	BACR15BA6A	RIVET- (SIZE DETERMINE ON INST) (NHA 284T0742)	P,Q	6
140	284T0742-37	STRAP	P,Q	2
145	BACR15BA5A	RIVET- (SIZE DETERMINE ON INST) (NHA 284T0742)	P,Q	10
150	284T0742-36	STRAP-SIDE	P,Q	2
155	BACR15BA3A	RIVET- (SIZE DETERMINE ON INST) (NHA 284T0742)	P,Q	30
160	T8099S32SK	NUTPLATE- (V11815) (SPEC BACN10KA3B) (OPT NS103227-02 (V80539))	P,Q	13
162	BRFM20A06L	NUTPLATE- (V52828) (SPEC BACN10JN06) (OPT MF53049-06 (V15653)) (OPT MF1000-06BAC (V15653)) (OPT NS103218-62 (V80539)) (OPT RMF9201M62 (V72962)) (OPT VN252A62L (V92215)) (OPT T8124S06S (V11815))	P,Q	2

26-15-46

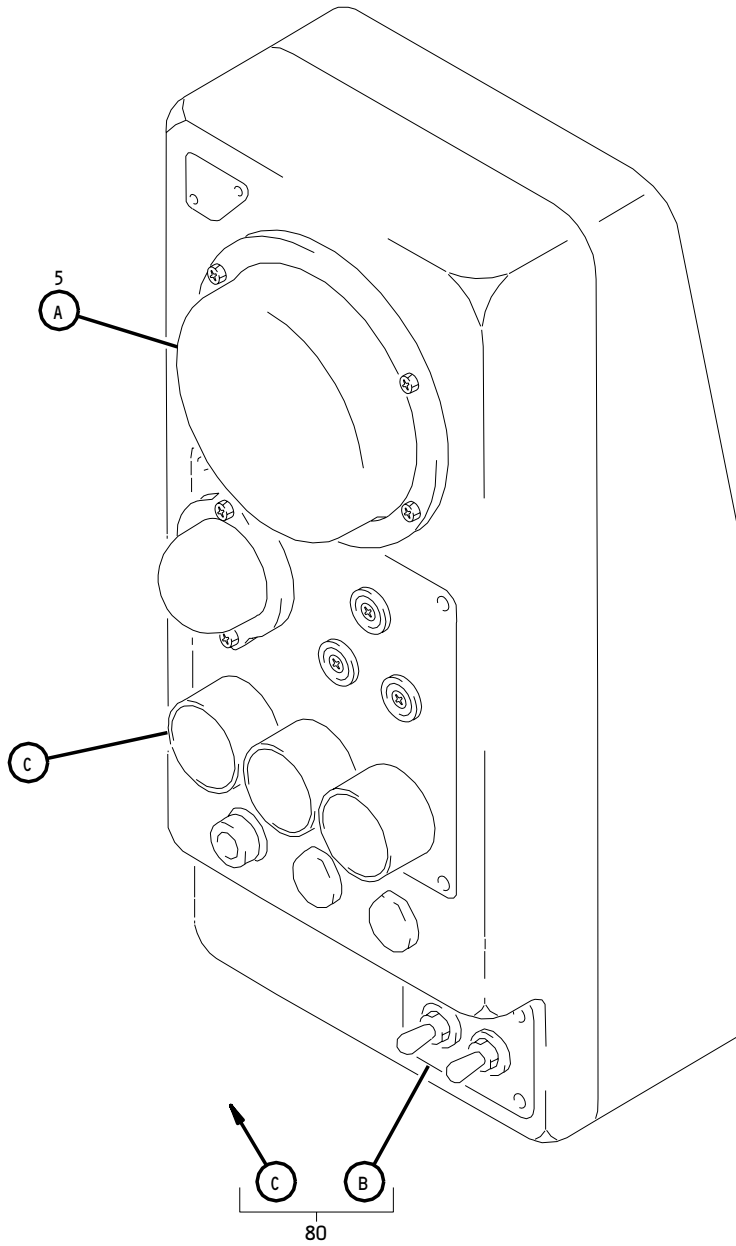
 ILLUSTRATED PARTS LIST
 01.1 Page 1067
 Mar 01/03

FIG. & ITEM	PART NO.	AIRLINE PART NUMBER	NOMENCLATURE 1234567	EFF CODE	QTY PER ASSY
07-165	BACR15BA3A	RIVET- (SIZE DETERMINE ON INST) (NHA 284T0742)	P,Q	14
170	T8101S1032SK	NUTPLATE- (V11815) (SPEC BACN10KA3C) (OPT NS103228-02 (V80539))	P,Q	7
175	284T0742-34	HOUSING	Q	1
-175A	284T0742-44	HOUSING	P	1
180	BACR15BB3A		...RIVET- (SIZE DETERMINE ON INST)	P,Q	10
185	NAS1149DN332J		...WASHER	P,Q	10
190	BAC27TEX1429		...MARKER-ALUMINUM FOIL- P 40 APU SHUTDOWN PANE	P,Q	1
195	BAC27TEX1430		...MARKER-ALUMINUM FOIL- APU FIRE WARNING HORN	P,Q	1
200	BAC27TEX4347		...MARKER-ALUMINUM FOIL	P	1
205	BAC27TEX5152		...MARKER-ALUMINUM FOIL	Q	1
210	284T0742-90		..OPTION PACKAGE ASSY	P,Q	1
215	BACR15BB3A		...RIVET- (SIZE DETERMINE ON INST)	P,Q	4
220	NAS1149DN332J		...WASHER	P,Q	4
225	BAC27TEX1432		...MARKER-ALUMINUM FOIL	P,Q	1

- Item Not Illustrated

26-15-46

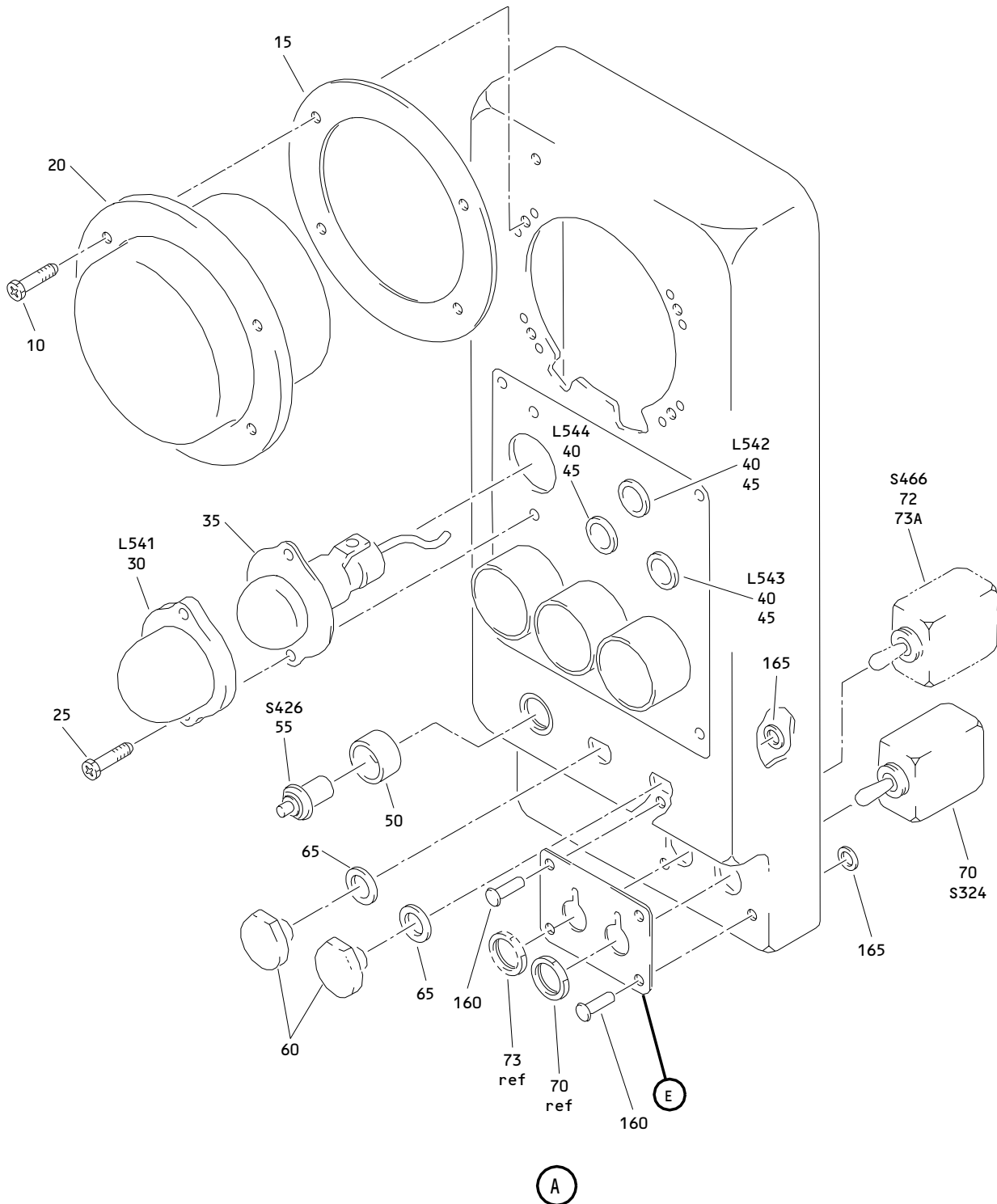
 ILLUSTRATED PARTS LIST
 01.1 Page 1068
 Mar 01/03



Apu Shutdown Panel Assembly, P40
Figure 8 (Sheet 1)

26-15-46

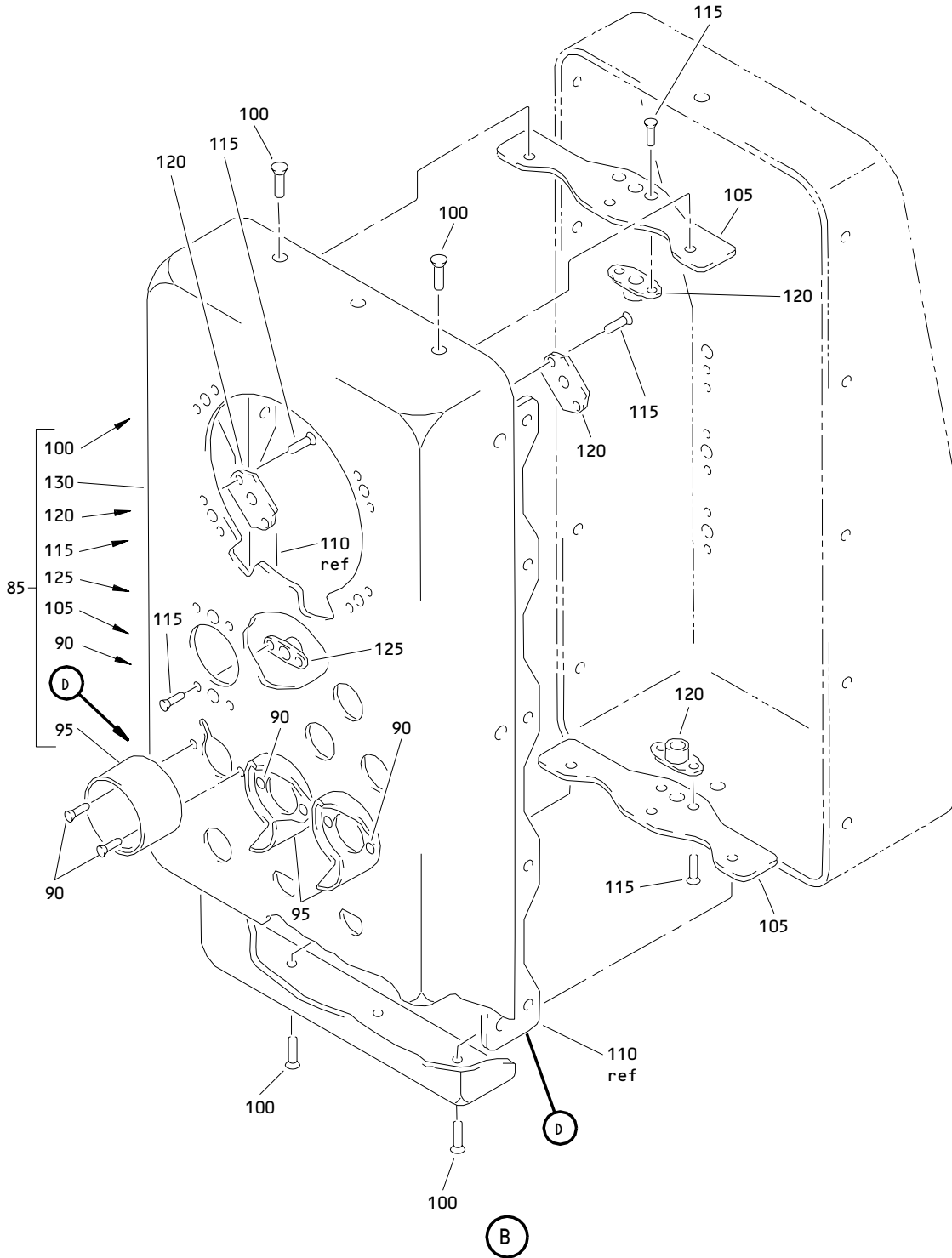
ILLUSTRATED PARTS LIST
01.1 Page 1069
Mar 01/03



Apu Shutdown Panel Assembly, P40
 Figure 8 (Sheet 2)

26-15-46

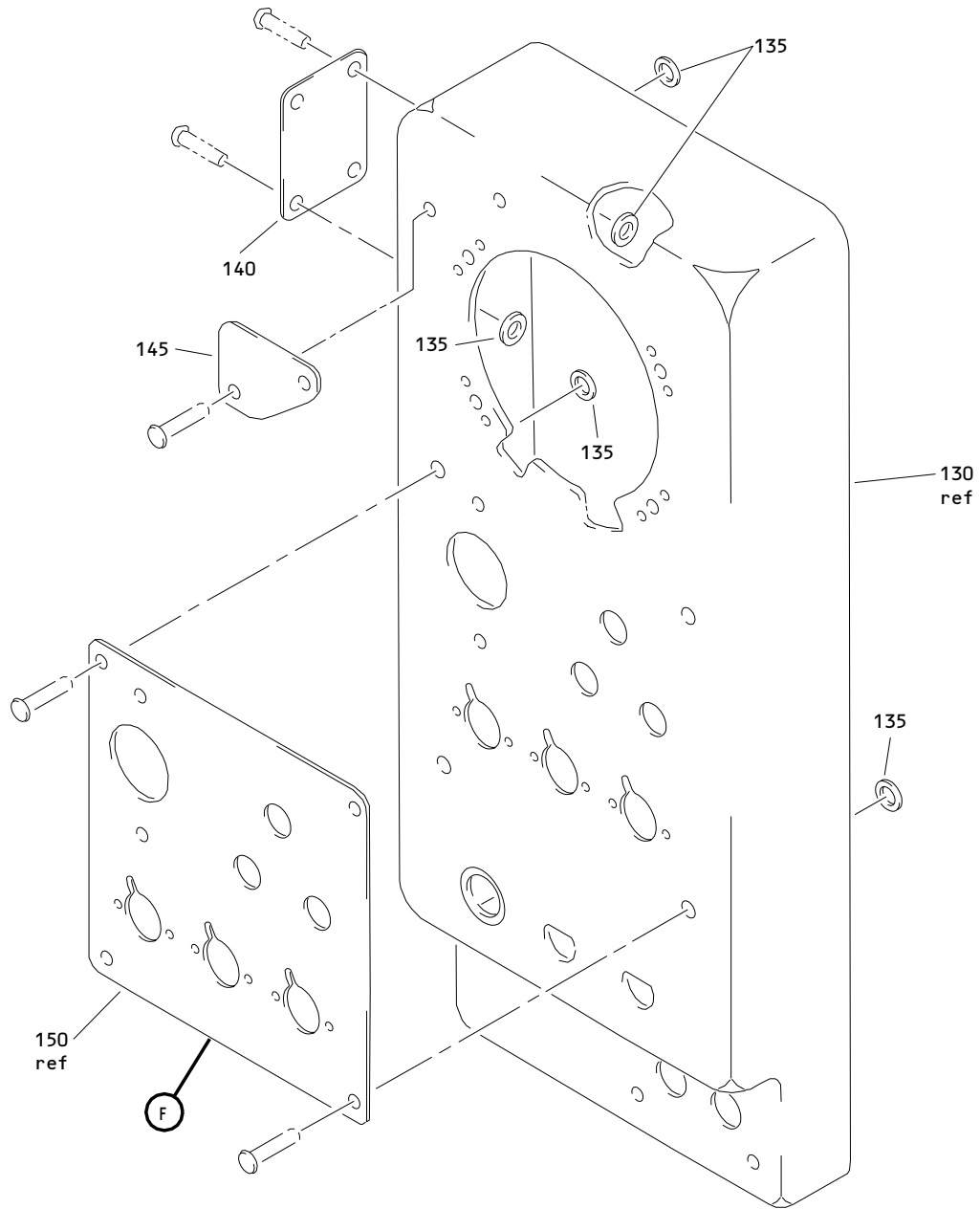
ILLUSTRATED PARTS LIST
 01.1 Page 1070
 Mar 01/03



Apu Shutdown Panel Assembly, P40
Figure 8 (Sheet 3)

26-15-46

ILLUSTRATED PARTS LIST
01.1 Page 1071
Mar 01/03

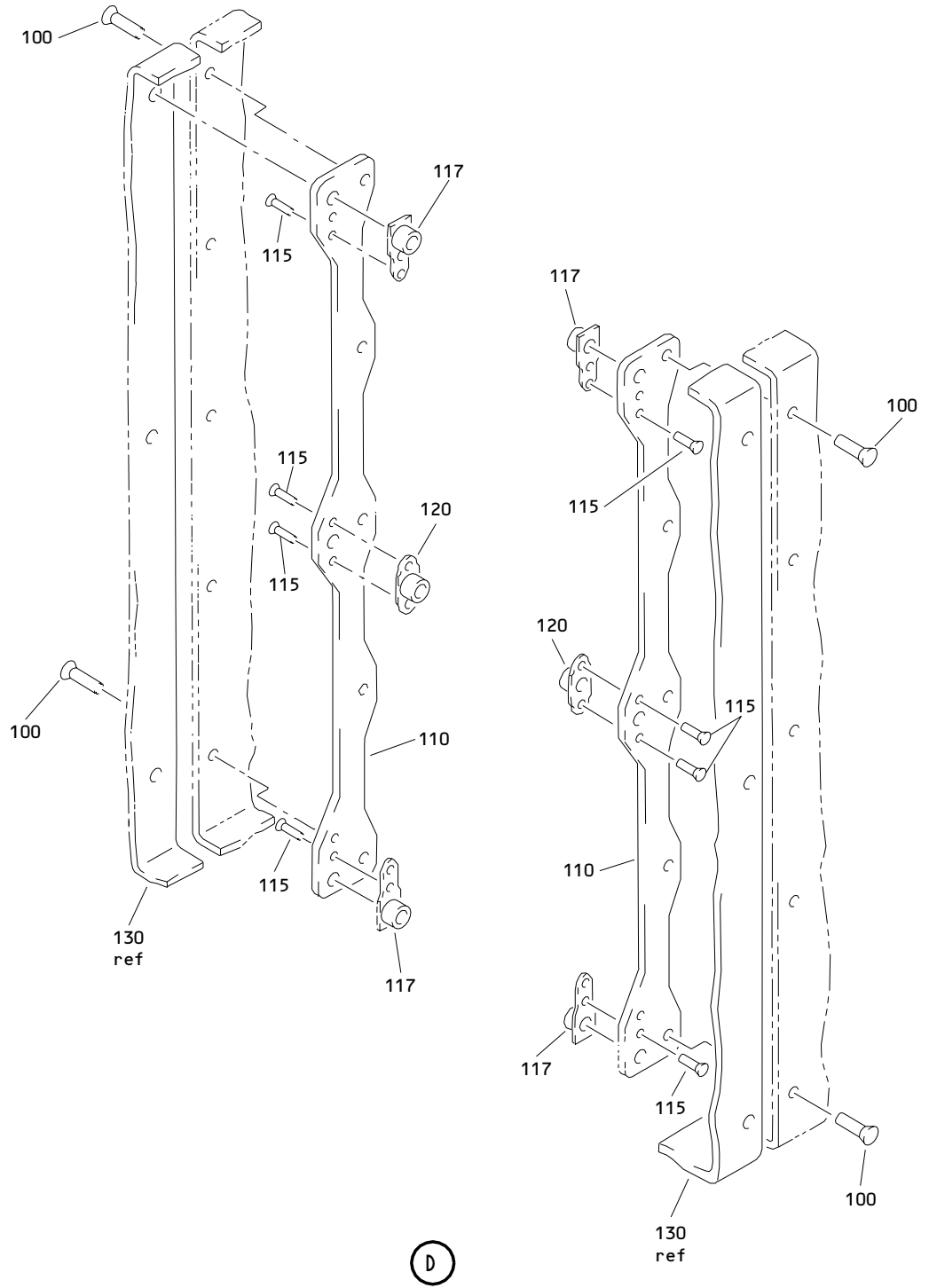


(C)

Apu Shutdown Panel Assembly, P40
Figure 8 (Sheet 4)

26-15-46

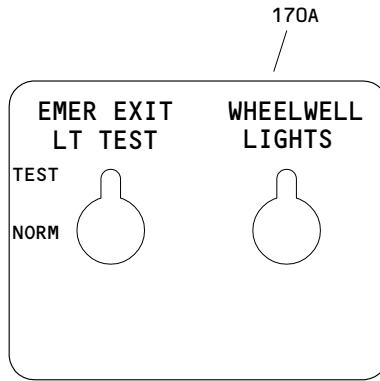
ILLUSTRATED PARTS LIST
01.1 Page 1072
Mar 01/03



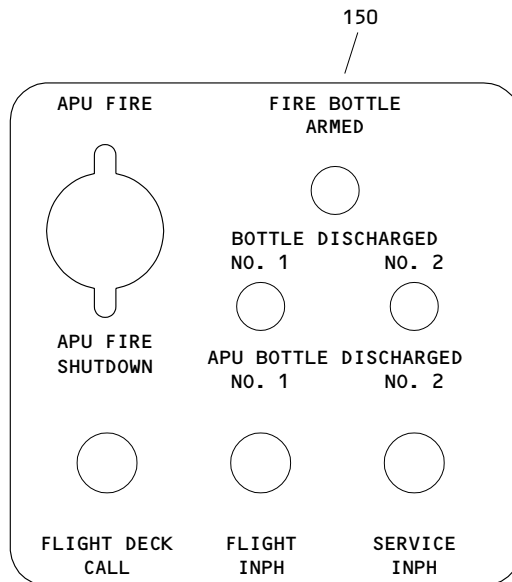
Apu Shutdown Panel Assembly, P40
Figure 8 (Sheet 5)

26-15-46

ILLUSTRATED PARTS LIST
01.1 Page 1073
Mar 01/03



(E)



(F)

APU Shutdown Panel Assembly, P40
 Figure 8 (Sheet 6)

26-15-46

ILLUSTRATED PARTS LIST
 01.1 Page 1074
 Mar 01/03


BOEING
 COMPONENT
 MAINTENANCE MANUAL

FIG. & ITEM	PART NO.	AIRLINE PART NUMBER	NOMENCLATURE 1234567	EFF CODE	QTY PER ASSY
08-					
-1	284T0719-304		DELETED		
-1A	284T0719-312		PANEL ASSY-APU SHUTDOWN P40	M	RF
5	284T0719-63		..OPTION PACKAGE ASSY	M	1
10	NAS1801-3-12		..SCREW	M	4
15	284T0748-1		..GASKET-HORN	M	1
20	9643		..HORN- (V80252) (B122)	M	1
25	NAS1801-06-10		..SCREW	M	2
30	69-23884-9		..LIGHT ASSY-FLOOD (L541)	M	1
35	A8985-17		...LIGHT ASSY- (V72914) (OPT ITEM 35A)	M	1
-35A	A8985-6		...LIGHT ASSY- (V72914) (OPT ITEM 35)	M	1
40	06-91182-12		..LIGHT- (V76854) (L542, L543, L544)	M	3
45	1864		..LAMP- (V03494)	M	3
50	284T0743-2		..GUARD-SWITCH	M	1
55	MS25089-1C		..SWITCH- (S426)	M	1
60	2C1079		..COVER-JACK (V82389)	M	2
65	NAS549GL716		..WASHER	M	2
70	MS24658-23D		..SWITCH- (S324)	M	1
72	284T0719-64		DELETED		
R 72A	284T0719-71		..OPTION PACKAGE ASSY	M	1
73	MS24658-27E		DELETED		
R 73A	MS24658-28E		..SWITCH- (S466)	M	1
-75	284T0742-205		..HOUSING ASSY	M	1
80	284T0742-85		..OPTION PACKAGE ASSY	M	1
85	284T0742-52		...HOUSING ASSY	M	1
90	BACR15BA4AD	RIVET- (SIZE DETERMINE ON INST)	M	6
95	284T0743-1	GUARD-SWITCH	M	3
100	BACR15BA5A	RIVET- (SIZE DETERMINE ON INST)	M	16
105	284T0742-37	STRAP	M	2
110	284T0742-36	STRAP-SIDE	M	2

26-15-46

 ILLUSTRATED PARTS LIST
 01.1 Page 1075
 Mar 01/03

FIG. & ITEM	PART NO.	AIRLINE PART NUMBER	NOMENCLATURE 1234567	EFF CODE	QTY PER ASSY
08-115	BACR15BA3A	RIVET- (SIZE DETERMINE ON INST)	M	20
120	T8099S32SK	NUTPLATE- (V11815) (SPEC BACN10KA3B) (OPT NS103227-02 (V80539))	M	8
125	BRFM20A06L	NUTPLATE- (V52828) (SPEC BACN10JN06) (OPT MF53049-06 (V15653)) (OPT MF1000-06BAC (V15653)) (OPT NS103218-62 (V80539)) (OPT RMF9201M62 (V72962)) (OPT VN252A62L (V92215)) (OPT T8124S06S (V11815))	M	2
130	284T0742-51	HOUSING	M	1
135	NAS1149DN332J		...WASHER	M	10
140	BAC27TEX1429		...MARKER-ALUMINUM FOIL, P40 APU SHUTDOWN PANEL	M	1
145	BAC27TEX1430		...MARKER-ALUMINUM FOIL, APU FIRE WARNING HORN	M	1
150	BAC27TEX4595		...MARKER-ALUMINUM FOIL	M	1
155	284T0742-90		DELETED		
-155A	284T0742-92		..OPTION PACKAGE	M	1
160	BACR15BB3A		...RIVET- (SIZE DETERMIN ON INST)	M	4
165	NAS1149DN332J		...WASHER	M	4
170	BAC27TEX1432		DELETED		
170A	BAC27TEX6520		...MARKER-ALUMINUM FOIL	M	1

- Item Not Illustrated

26-15-46

 ILLUSTRATED PARTS LIST
 01.1 Page 1076
 Mar 01/03


BOEING
 COMPONENT
 MAINTENANCE MANUAL

FIG. & ITEM	PART NO.	AIRLINE PART NUMBER	NOMENCLATURE 1234567	EFF CODE	QTY PER ASSY
09-					
-1A	284T0719-313		DELETED		
-5	284T0719-62		DELETED		
10	NAS1801-3-12		DELETED		
15	9643		DELETED		
20	284T0748-1		DELETED		
25	NAS1801-06-10		DELETED		
30	69-23884-9		DELETED		
35	A8985-6		DELETED		
-35A	A8985-17		DELETED		
40	1864		DELETED		
45	06-91182-12		DELETED		
50	284T0743-2		DELETED		
55	MS25089-1C		DELETED		
60	MS24658-23D		DELETED		
65	NAS549GL716		DELETED		
70	2C1079		DELETED		
75	NAS1801-04-7		DELETED		
80	BRH10C04D		DELETED		
-85	284T0719-72		DELETED		
90	MS24658-28E		DELETED		
95	284T0742-211		DELETED		
-100	284T0742-81		DELETED		
105	284T0742-27		DELETED		
110	BACR15BA3A		DELETED		
115	BRFM20A06L		DELETED		
120	T8099S32SK		DELETED		
125	T8101S1032SK		DELETED		
130	BACR15BA4AD		DELETED		
135	284T0743-1		DELETED		
140	BACR15BA5A		DELETED		

26-15-46

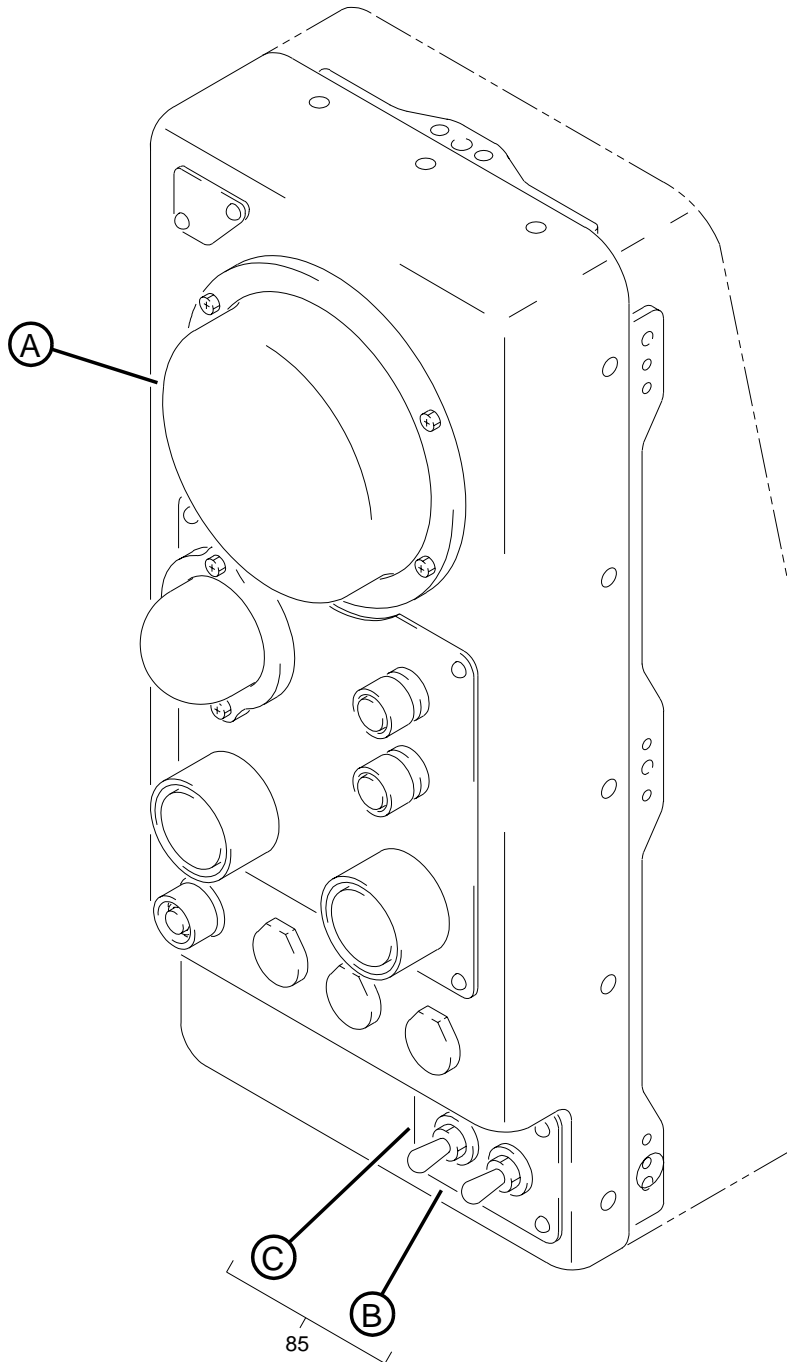
 ILLUSTRATED PARTS LIST
 01.1 Page 1077
 Mar 01/03

FIG. & ITEM	PART NO.	AIRLINE PART NUMBER	NOMENCLATURE 1234567	EFF CODE	QTY PER ASSY
09-					
145	284T0744-2		DELETED		
150	284T0744-1		DELETED		
155	BACR15BA5KE		DELETED		
160	284T0744-4		DELETED		
165	284T0744-5		DELETED		
170	284T0742-28		DELETED		
175	BACR15BB3A		DELETED		
180	NAS1149DN332J		DELETED		
185	BAC27TEX1429		DELETED		
190	BAC27TEX1430		DELETED		
195	BAC27TEX2332		DELETED		
200	BAC27TEX3187		DELETED		
-205	284T0742-92		DELETED		
210	BACR15BB3A		DELETED		
215	NAS1149DN332J		DELETED		
220	BAC27TEX6520		DELETED		

- Item Not Illustrated

26-15-46

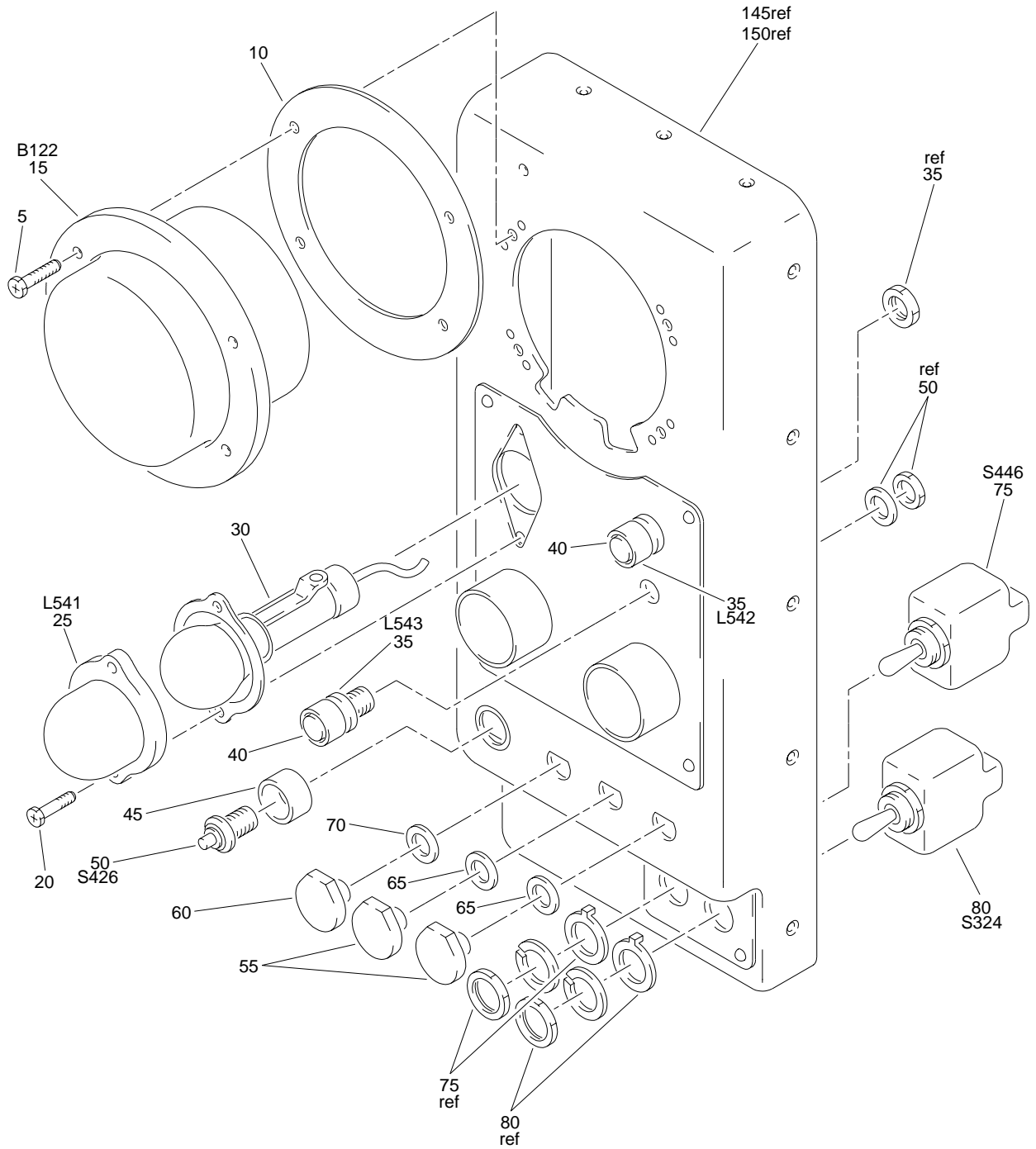
ILLUSTRATED PARTS LIST
 01.1 Page 1078
 Mar 01/03



APU Shutdown Panel Assembly, P40
Figure 10 (Sheet 1)

26-15-46

ILLUSTRATED PARTS LIST
01.1 Page 1079
Mar 01/03

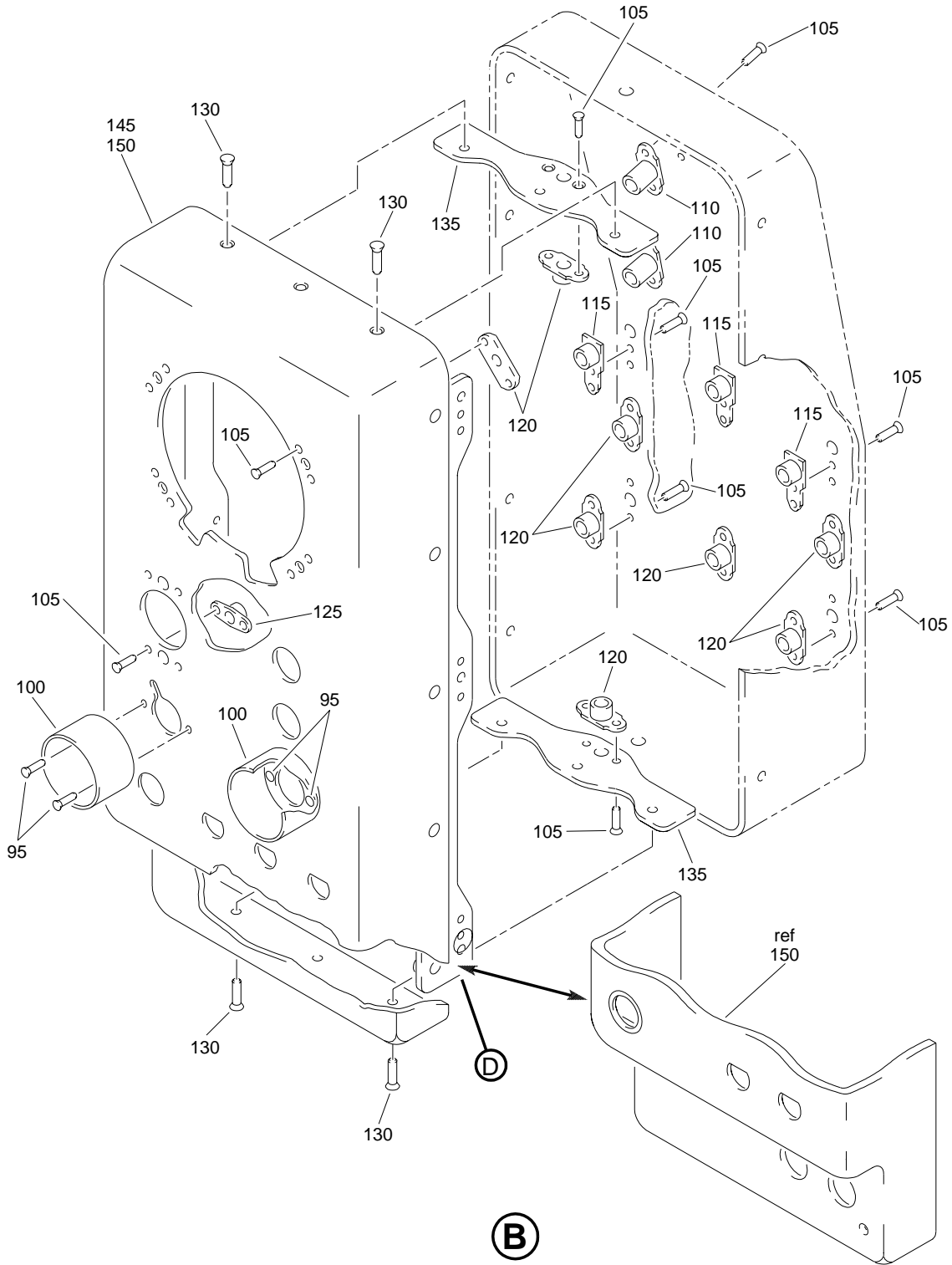


(A)

APU Shutdown Panel Assembly, P40
 Figure 10 (Sheet 2)

26-15-46

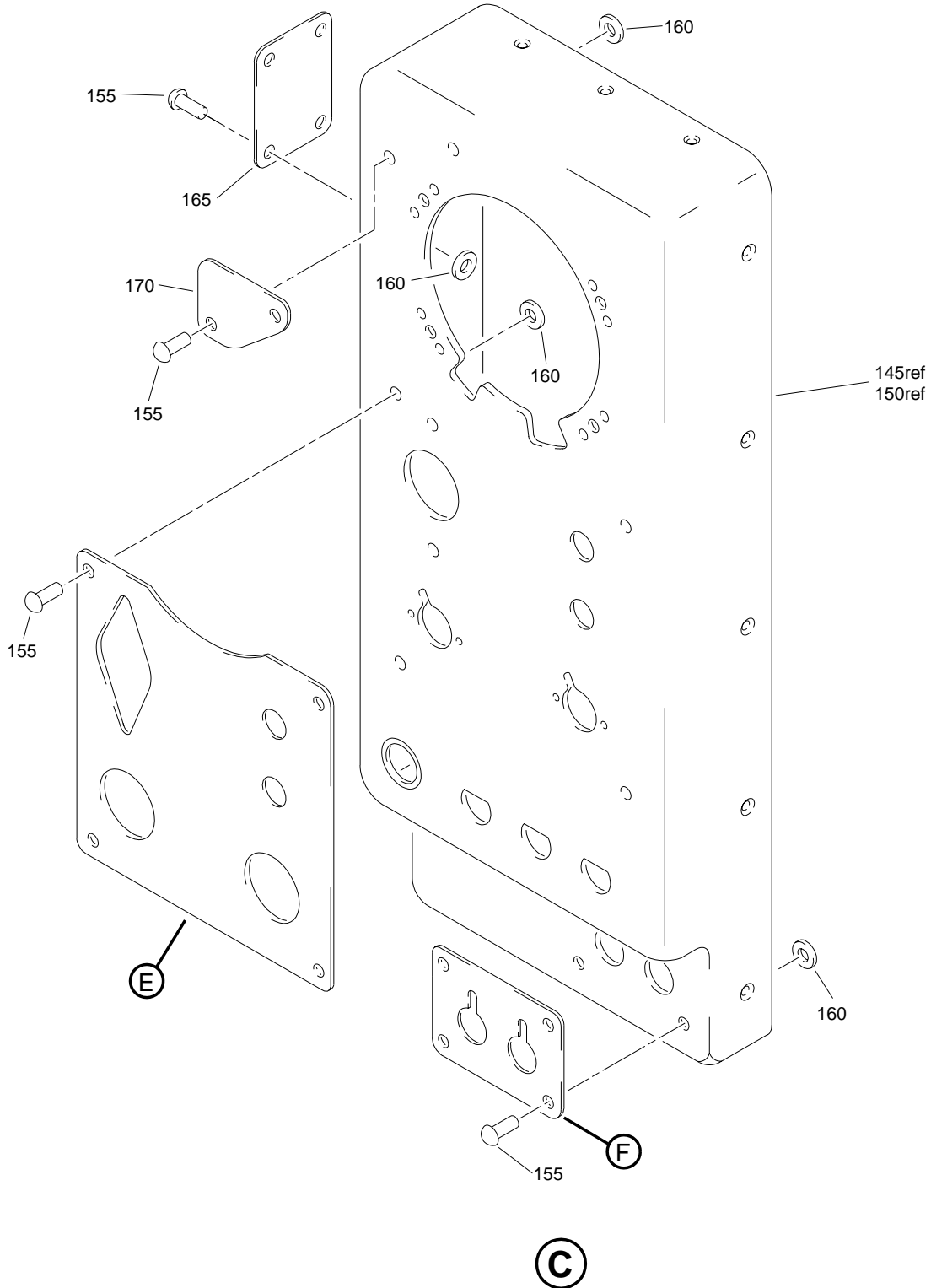
ILLUSTRATED PARTS LIST
 01.1 Page 1080
 Mar 01/03



APU Shutdown Panel Assembly, P40
 Figure 10 (Sheet 3)

26-15-46

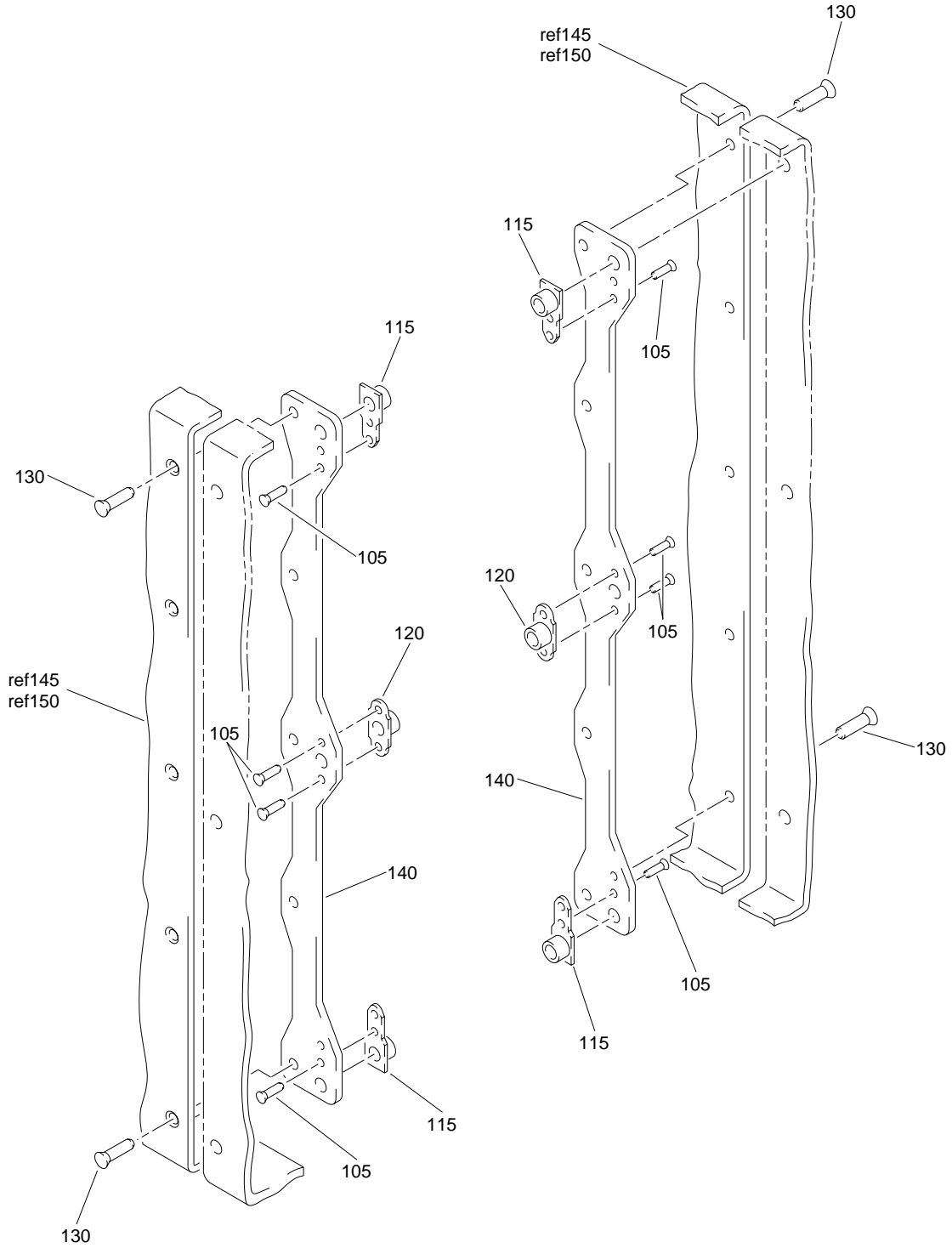
ILLUSTRATED PARTS LIST
 01.1 Page 1080A
 Mar 01/03



APU Shutdown Panel Assembly, P40
Figure 10 (Sheet 4)

26-15-46

ILLUSTRATED PARTS LIST
01.1 Page 1080B
Mar 01/03

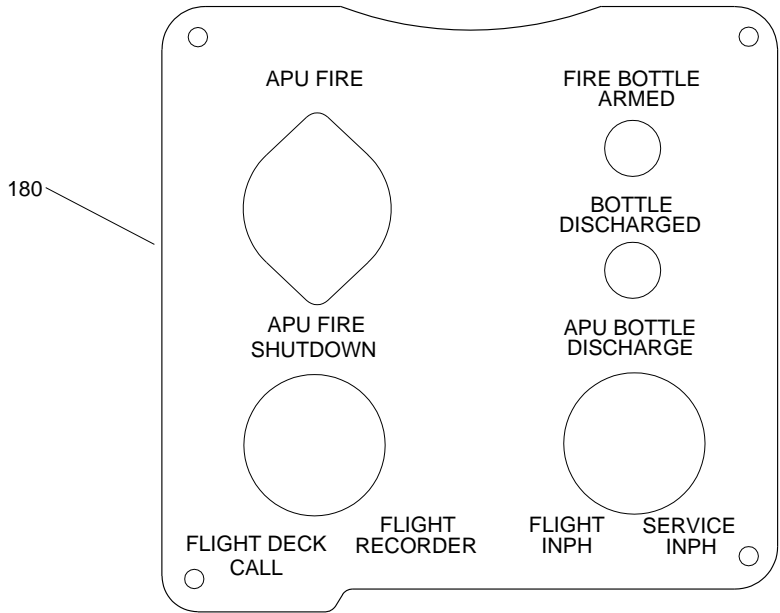


(D)

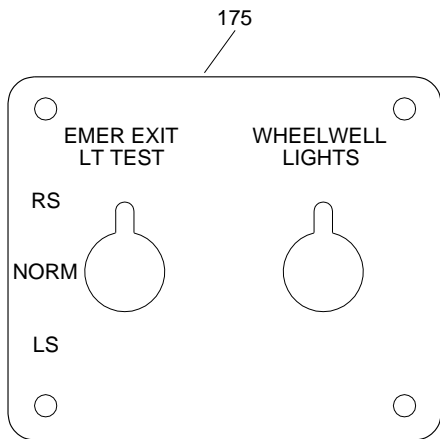
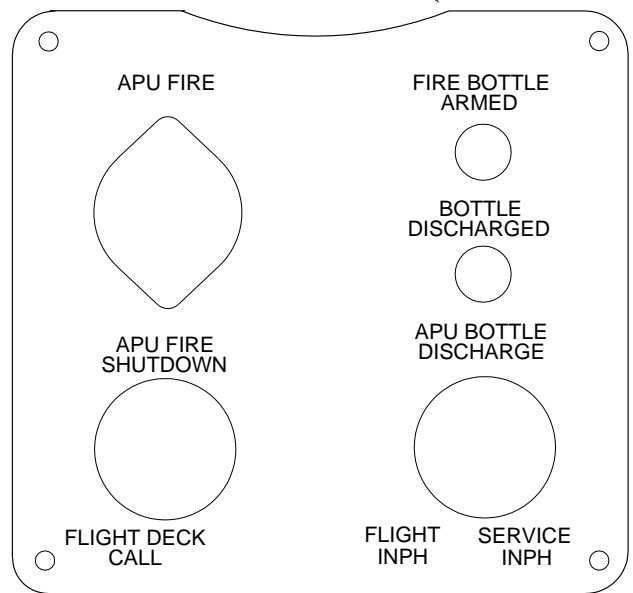
APU Shutdown Panel Assembly, P40
Figure 10 (Sheet 5)

26-15-46

ILLUSTRATED PARTS LIST
01.1 Page 1080C
Mar 01/03



(E)



(F)

APU Shutdown Panel Assembly, P40
 Figure 10 (Sheet 6)

26-15-46

ILLUSTRATED PARTS LIST
 01.1 Page 1080D
 Mar 01/03


BOEING
 COMPONENT
 MAINTENANCE MANUAL

FIG. & ITEM	PART NO.	AIRLINE PART NUMBER	NOMENCLATURE 1234567	EFF CODE	QTY PER ASSY
R 10-					
R -1A	284T0719-354		PANEL ASSY-APU SHUTDOWN P40	R	RF
R -1B	284T0719-355		PANEL ASSY-APU SHUTDOWN P40	S	RF
R 5	BACS12HN3-12		.SCREW- (OPT ITEM 5A)	R,S	4
R -5A	NAS1801-3-12		.SCREW- (OPT ITEM 5)	R,S	4
R 10	284T0748-1		.GASKET-HORN	R,S	1
R 15	9643		.HORN- (V80252) (B122)	R,S	1
R 20	BACS12HN06-10		.SCREW- (OPT ITEM 20A)	R,S	2
R -20A	NAS1801-06-10		.SCREW- (OPT ITEM 20)	R,S	2
R 25	69-23884-9		.LIGHT ASSY-FLOOD (L541)	R,S	1
R 30	A8985-17		..LIGHT ASSY- (V72914) (OPT ITEM 30A)	R,S	1
R -30A	A8985-6		..LIGHT ASSY- (V72914) (OPT ITEM 30)	R,S	1
R 35	06-91182-12		.LIGHT- (V76854) (L542, L543)	R,S	2
R 40	1864		.LAMP- (V08806)	R,S	2
R 45	284T0743-2		.GUARD-SWITCH	R,S	1
R 50	MS25089-1C		.SWITCH- (S426)	R,S	1

26-15-46

 ILLUSTRATED PARTS LIST
 01.1 Page 1080E
 Mar 01/03

FIG. & ITEM	PART NO.	AIRLINE PART NUMBER	NOMENCLATURE 1234567	EFF CODE	QTY PER ASSY
R 10-55	2C1079		.COVER-JACK (V82389)	R,S	2
R 60	2C1079		.COVER-JACK (V82389)	R	1
R 65	NAS549GL716		.WASHER	R,S	2
R 70	NAS549GL716		.WASHER	R	1
R 75	MS24658-27E		.SWITCH- (S466)	R,S	1
R 80	MS24658-23D		.SWITCH- (S324)	R,S	1
R 85	284T0742-254		.HOUSING ASSY	R	1
R -85A	284T0742-255		.HOUSING ASSY	S	1
R -90	284T0742-101		..SUB ASSY-HOUSING	R	1
R -90A	284T0742-103		..SUB ASSY-HOUSING	S	1
R 95	BACR15BA4AD		...RIVET- (SIZE DETERMINE ON INST)	R,S	4
R 100	284T0743-1		...GUARD-SWITCH	R,S	2
R 105	BACR15BA3A		...RIVET- (SIZE DETERMINE ON INST)	R,S	48
R 110	WSI4-8		...NUTPLATE- (V04169) (SPEC BACN10TL3-8)	R,S	2
R 115	NS202542-3		...NUTPLATE- (V80539) (SPEC BACN10KA3CCD) (OPT T8102C1032KCPM (V11815))	R,S	7
R 120	NS202541-3		...NUTPLATE- (V80539) (SPEC BACN10KA3BCD) (OPT T8100C1032KCPM (V11815))	R,S	13

26-15-46

 ILLUSTRATED PARTS LIST
 01.1 Page 1080F
 Mar 01/03


BOEING
 COMPONENT
 MAINTENANCE MANUAL

FIG. & ITEM	PART NO.	AIRLINE PART NUMBER	NOMENCLATURE 1234567	EFF CODE	QTY PER ASSY
R 10-125	BRFM20C06LD		...NUTPLATE- (V52828) (SPEC BACN10JN06CD) (OPT T8301C632CD (V11815)) (OPT 102F9201M62 (V72962)) (OPT NS202487-62 (V80539)) (OPT MF51637-06 (V15653)) (OPT BRFM20C06LD (V52828))	R,S	2
R 130	BACR15BA5A		...RIVET- (SIZE DETERMINE ON INST)	R,S	16
R 135	284T0742-37		...STRAP	R,S	2
R 140	284T0742-36		...STRAP	R,S	2
R 145	284T0742-34		...HOUSING	R	1
R 150	284T0742-44		...HOUSING	S	1
R 155	BACR15BB3A		..RIVET- (SIZE DETERMINE ON INST) (ITEM 155 TOGETHER WITH ITEM 160 IS OPTIONAL TO ITEM 155A TOGETHER WITH ITEM 160A)	R,S	14
R -155A	BACR15DR3PA		..RIVET- (SIZE DETERMINE ON INST) (ITEM 155 TOGETHER WITH ITEM 160 IS OPTIONAL TO ITEM 155A TOGETHER WITH ITEM 160A)	R,S	14
R 160	NAS1149DN332J		..WASHER- (SIZE DETERMINE ON INST) (ITEM 155 TOGETHER WITH ITEM 160 IS OPTIONAL TO ITEM 155A TOGETHER WITH ITEM 160A)	R,S	14
R -160A	NAS1149CN332R		..WASHER- (SIZE DETERMINE ON INST) (ITEM 155 TOGETHER WITH ITEM 160 IS OPTIONAL TO ITEM 155A TOGETHER WITH ITEM 160A)	R,S	14

26-15-46

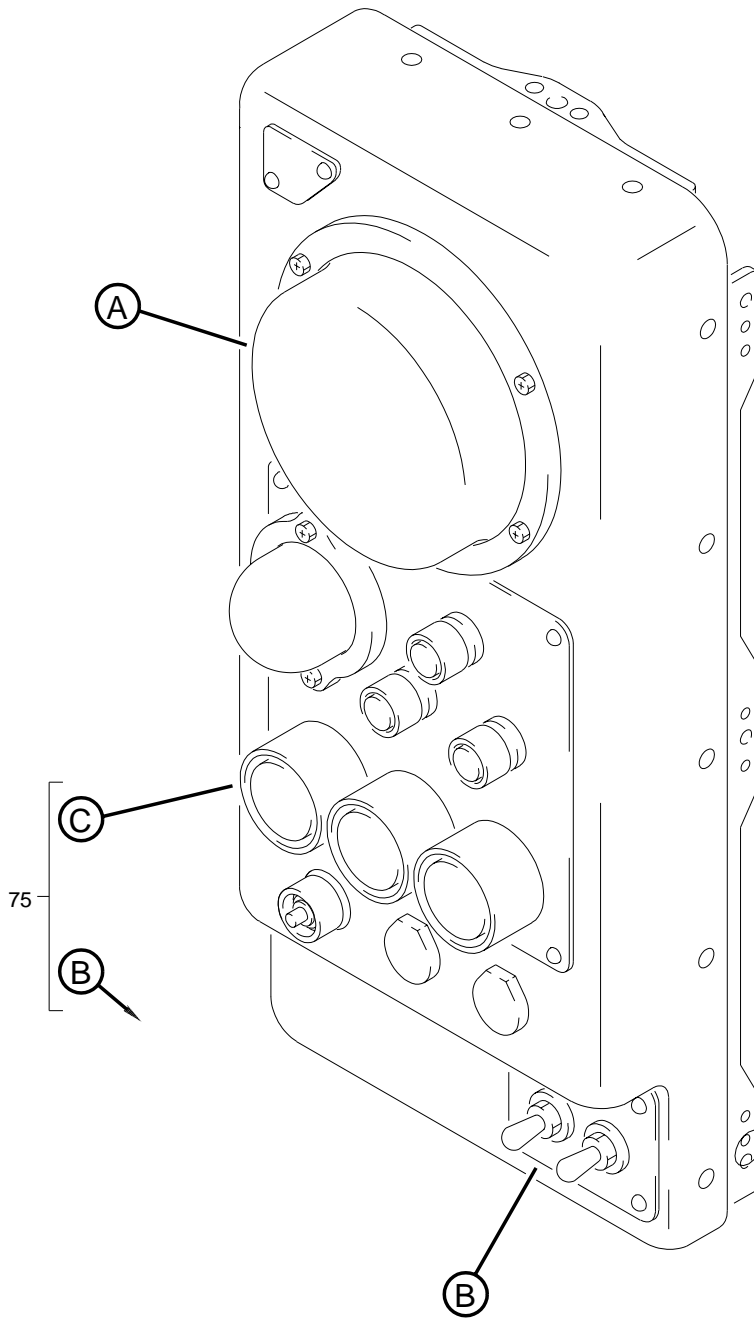
 ILLUSTRATED PARTS LIST
 01.1 Page 1080G
 Mar 01/03

FIG. & ITEM	PART NO.	AIRLINE PART NUMBER	NOMENCLATURE	EFF CODE	QTY PER ASSY
			1234567		
R 10-165	BAC27TEX1429		..MARKER-ALUMINUM FOIL, P40 APU SHUTDOWN PANEL	R,S	1
R 170	BAC27TEX1430		..MARKER-ALUMINUM FOIL, APU FIRE WARNING HORN	R,S	1
R 175	BAC27TEX1432		..MARKER-ALUMINUM FOIL	R,S	1
R 180	BAC27TEX5152		..MARKER-ALUMINUM FOIL	R	1
R 185	BAC27TEX4347		..MARKER-ALUMINUM FOIL	S	1
190	284T0742-34		DELETED		
195	284T0742-44		DELETED		

- Item Not Illustrated

26-15-46

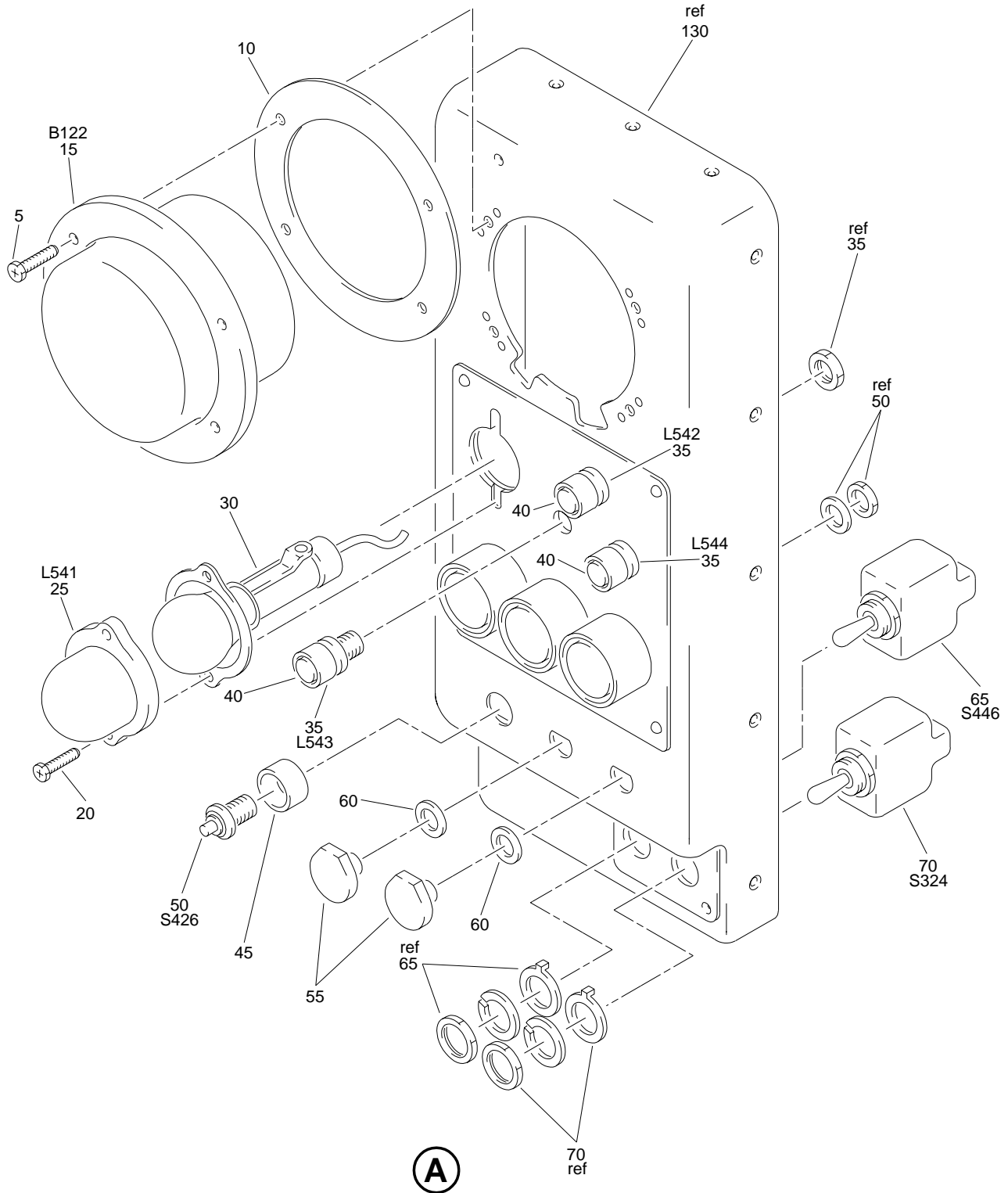
ILLUSTRATED PARTS LIST
 01.1 Page 1080H
 Mar 01/03



APU Shutdown Panel Assembly, P40
Figure 11 (Sheet 1)

26-15-46

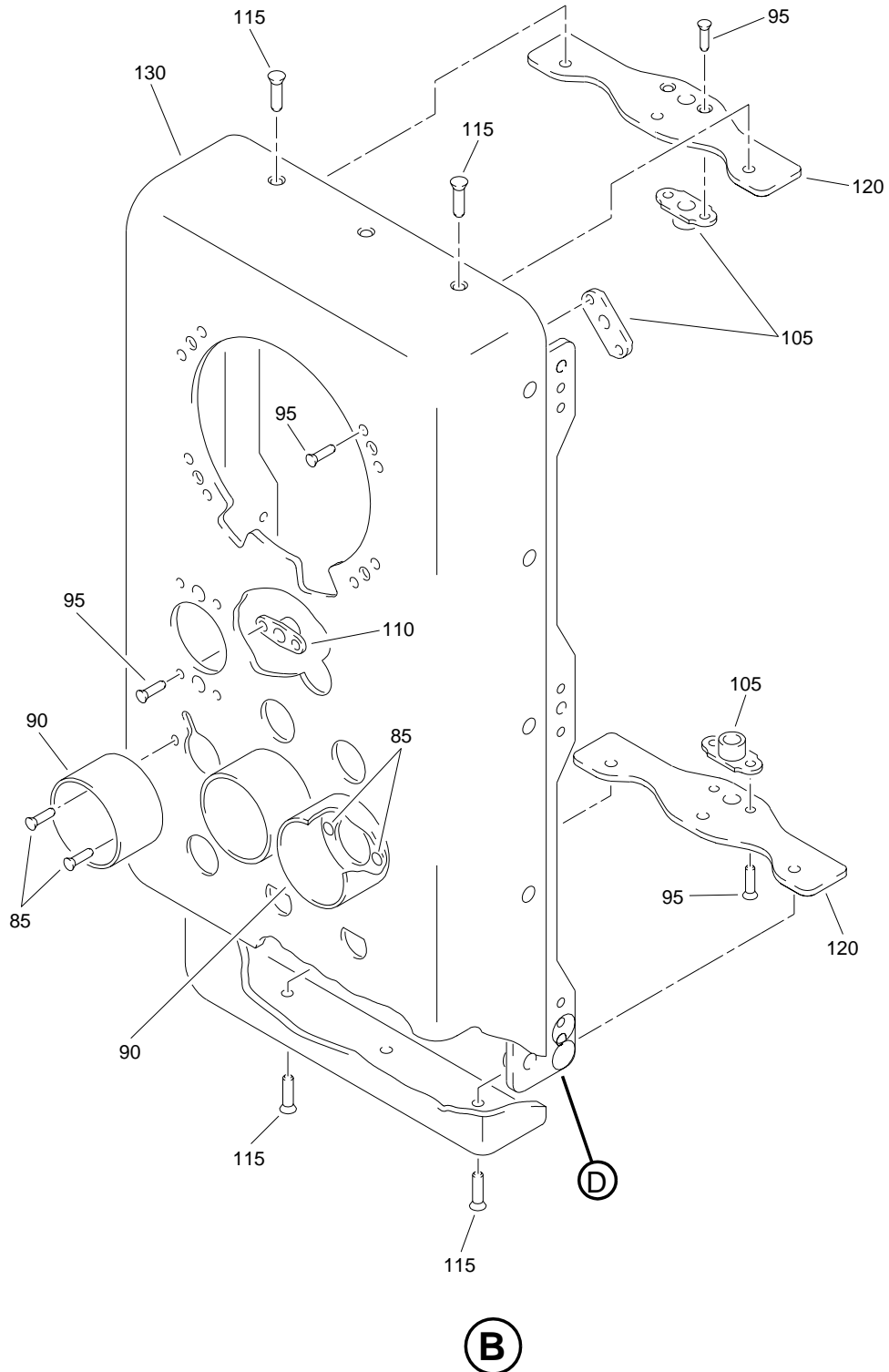
ILLUSTRATED PARTS LIST
01.1 Page 1080I
Mar 01/03



APU Shutdown Panel Assembly, P40
 Figure 11 (Sheet 2)

26-15-46

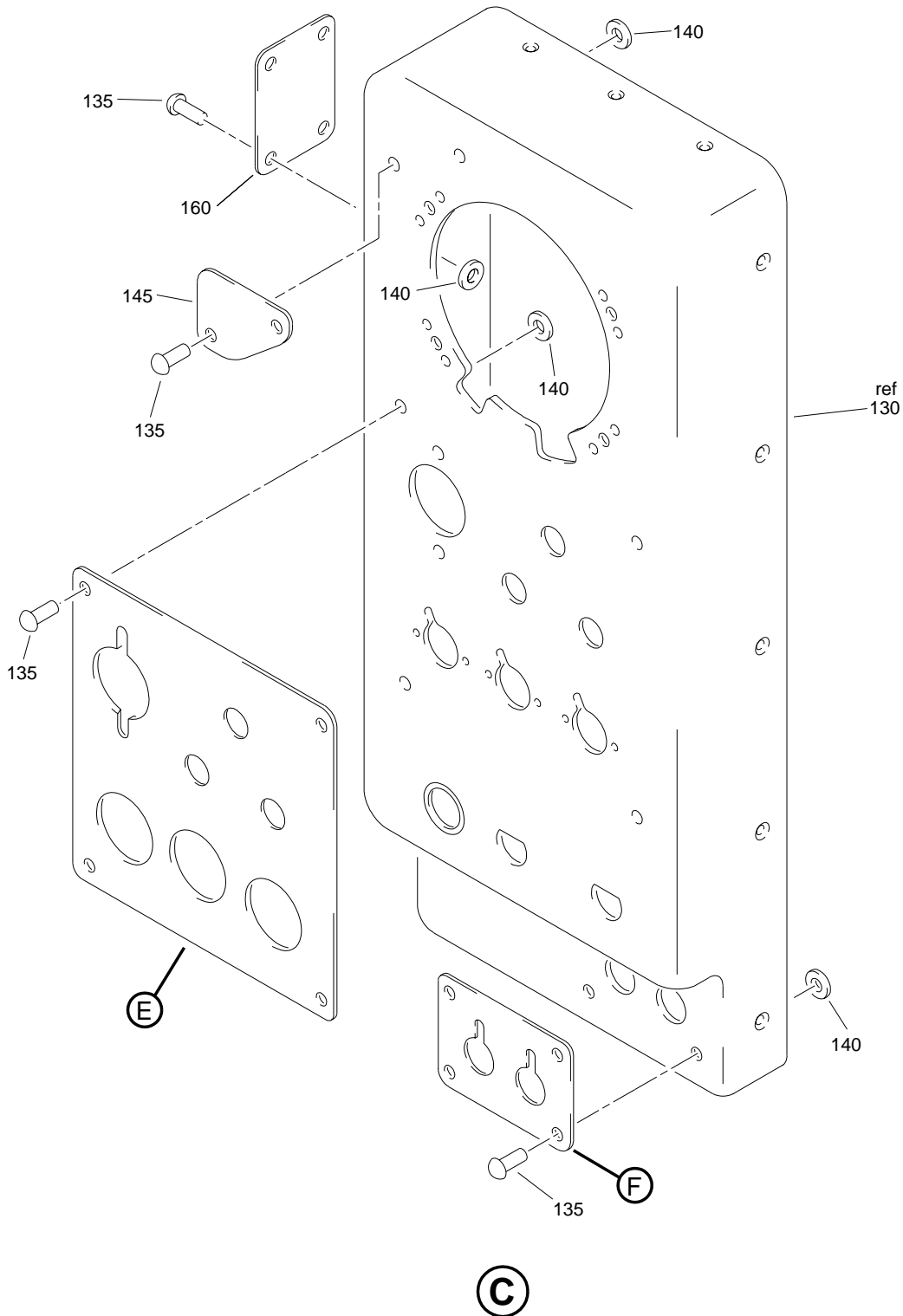
ILLUSTRATED PARTS LIST
 01.1 Page 1080J
 Mar 01/03



APU Shutdown Panel Assembly, P40
Figure 11 (Sheet 3)

26-15-46

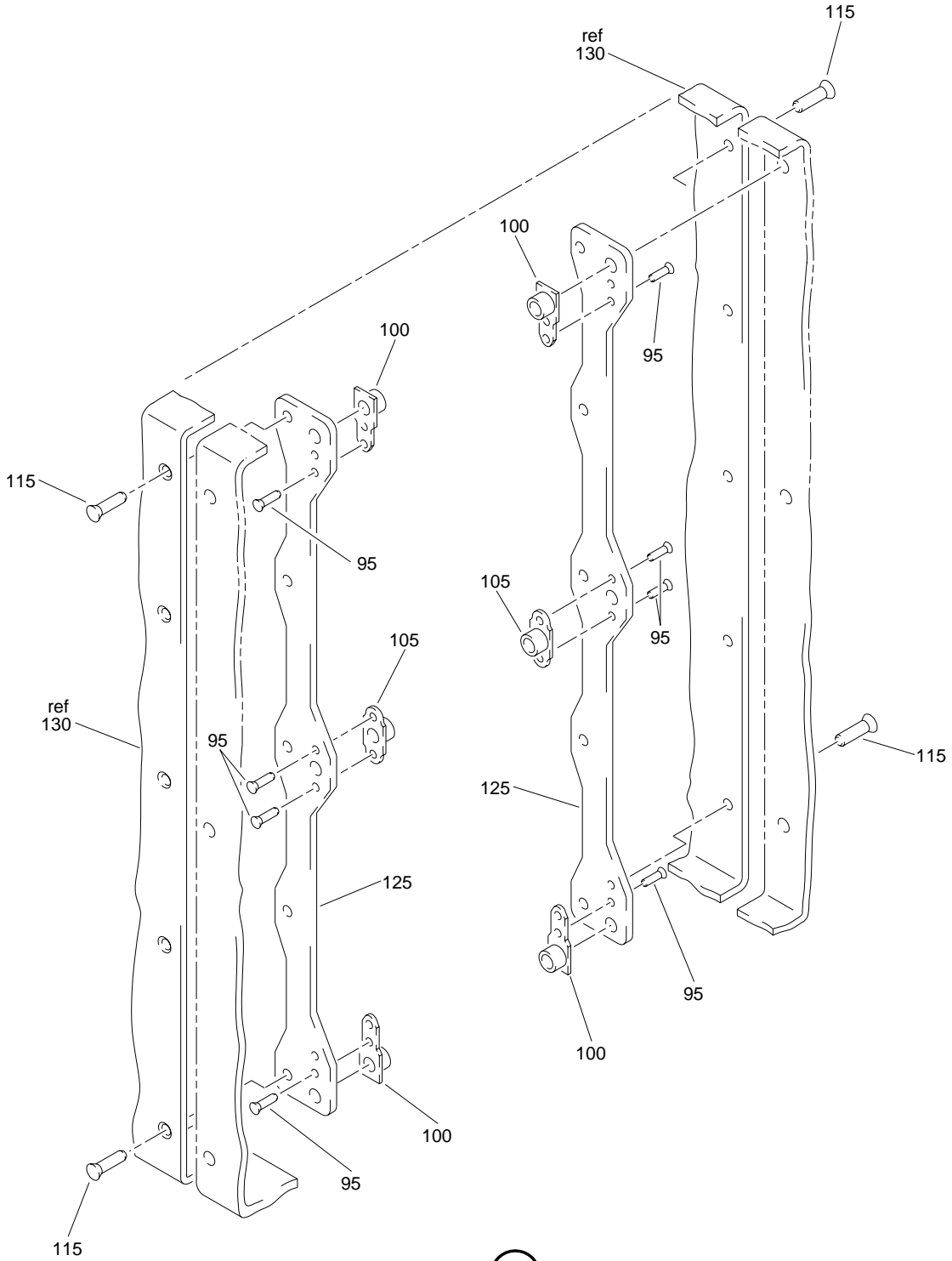
ILLUSTRATED PARTS LIST
01.1 Page 1080K
Mar 01/03



APU Shutdown Panel Assembly, P40
 Figure 11 (Sheet 4)

26-15-46

ILLUSTRATED PARTS LIST
 01.1 Page 1080L
 Mar 01/03

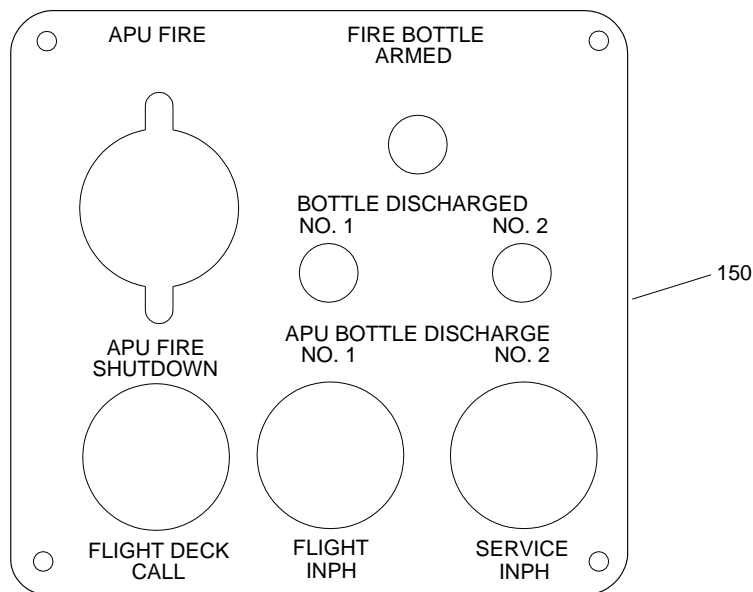


(D)

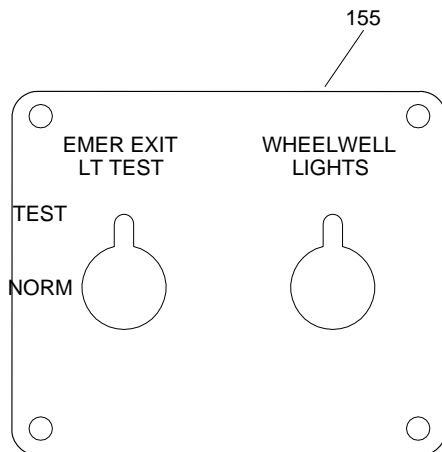
APU Shutdown Panel Assembly, P40
Figure 11 (Sheet 5)

26-15-46

ILLUSTRATED PARTS LIST
01.1 Page 1080M
Mar 01/03



(E)



(F)

APU Shutdown Panel Assembly, P40
 Figure 11 (Sheet 6)

26-15-46

ILLUSTRATED PARTS LIST
 01.1 Page 1080N
 Mar 01/03


BOEING
 COMPONENT
 MAINTENANCE MANUAL

FIG. & ITEM	PART NO.	AIRLINE PART NUMBER	NOMENCLATURE 1234567	EFF CODE	QTY PER ASSY
R 11-					
R -1A	284T0719-357		PANEL ASSY-APU SHUTDOWN P40	T	RF
R -1B	284T0719-363		PANEL ASSY-APU SHUTDOWN P40	U	RF
R 5	BACS12HN3-12		.SCREW- (OPT ITEM 5A)	T,U	4
R -5A	NAS1801-3-12		.SCREW- (OPT ITEM 5)	T,U	4
R 10	284T0748-1		.GASKET-HORN	T,U	1
R 15	9643		.HORN- (V80252) (B122)	T,U	1
R 20	BACS12HN06-10		.SCREW- (OPT ITEM 20A)	T,U	2
R -20A	NAS1801-06-10		.SCREW- (OPT ITEM 20)	T,U	2
R 25	69-23884-9		.LIGHT ASSY-FLOOD (L541)	T,U	1
R 30	A8985-17		..LIGHT ASSY- (V72914) (OPT ITEM 30A)	T,U	1
R -30A	A8985-6		..LIGHT ASSY- (V72914) (OPT ITEM 30)	T,U	1
R 35	06-91182-12		.LIGHT- (V76854) (L542, L543, L544)	T,U	3
R 40	1864		.LAMP- (V08806)	T,U	3
R 45	284T0743-2		.GUARD-SWITCH	T,U	1
R 50	MS25089-1C		.SWITCH- (S426)	T,U	1
R 55	2C1079		.COVER-JACK (V82389)	T,U	2
R 60	NAS549GL716		.WASHER	T,U	2
R 65	MS24658-27E		.SWITCH- (S466)	T	1
R -65A	MS24658-28E		.SWITCH- (S466)	U	1
R 70	MS24658-23D		.SWITCH- (S324)	T,U	1
R 75	284T0742-257		.HOUSING ASSY	T,U	1
R -80	284T0742-107		..SUB ASSY-HOUSING	T,U	1
R 85	BACR15BA4AD		...RIVET- (SIZE DETERMINE ON INST)	T,U	6
R 90	284T0743-1		...GUARD-SWITCH	T,U	3

26-15-46

 ILLUSTRATED PARTS LIST
 01.1 Page 10800
 Mar 01/03

FIG. & ITEM	PART NO.	AIRLINE PART NUMBER	NOMENCLATURE 1234567	EFF CODE	QTY PER ASSY
R 11-95	BACR15BA3A		...RIVET- (SIZE DETERMINE ON INST)	T,U	28
R 100	NS202542-3		...NUTPLATE- (V80539) (SPEC BACN10KA3CCD) (OPT T8102C1032KCPM (V11815))	T,U	4
R 105	NS202541-3		...NUTPLATE- (V80539) (SPEC BACN10KA3BCD) (OPT T8100C1032KCPM (V11815))	T,U	8
R 110	BRFM20C06LD		...NUTPLATE- (V52828) (SPEC BACN10JN06CD) (OPT T8301C632CD (V11815)) (OPT 102F9201M62 (V72962)) (OPT NS202487-62 (V80539)) (OPT MF51637-06 (V15653)) (OPT BRFM20C06LD (V52828))	T,U	2
R 115	BACR15BA5A		...RIVET- (SIZE DETERMINE ON INST)	T,U	16
R 120	284T0742-37		...STRAP	T,U	2
R 125	284T0742-36		...STRAP-SIDE	T,U	2
R 130	284T0742-51		...HOUSING	T,U	1
R 135	BACR15BB3A		..RIVET- (SIZE DETERMINE ON INST) (ITEM 135 TOGETHER WITH ITEM 140 IS OPTIONAL TO ITEM 135A TOGETHER WITH ITEM 140A)	T,U	14
R -135A	BACR15DR3PA		..RIVET- (SIZE DETERMINE ON INST) (ITEM 135 TOGETHER WITH ITEM 140 IS OPTIONAL TO ITEM 135A TOGETHER WITH ITEM 140A)	T,U	14

26-15-46

 ILLUSTRATED PARTS LIST
 01.1 Page 1080P
 Mar 01/03


BOEING
 COMPONENT
 MAINTENANCE MANUAL

FIG. & ITEM	PART NO.	AIRLINE PART NUMBER	NOMENCLATURE 1234567	EFF CODE	QTY PER ASSY
R 11-140	NAS1149DN332J		..WASHER- (SIZE DETERMINE ON INST) (ITEM 135 TOGETHER WITH ITEM 140 IS OPTIONAL TO ITEM 135A TOGETHER WITH ITEM 140A)	T,U	14
R -140A	NAS1149CN332R		..WASHER- (SIZE DETERMINE ON INST) (ITEM 135 TOGETHER WITH ITEM 140 IS OPTIONAL TO ITEM 135A TOGETHER WITH ITEM 140A)	T,U	14
R 145	BAC27TEX1430		..MARKER-ALUMINUM FOIL, APU FIRE WARNING HORN	T,U	1
R 150	BAC27TEX4595		..MARKER-ALUMINUM FOIL	T,U	1
R 155	BAC27TEX6520		..MARKER-ALUMINUM FOIL	T,U	1
R 160	BAC27TEX1429		..MARKER-ALUMINUM FOIL, P40 APU SHUT DOWN PANEL	T,U	1
165	284T0742-51		DELETED		

- Item Not Illustrated

26-15-46

ILLUSTRATED PARTS LIST
 01.1 Page 1080Q
 Mar 01/03